

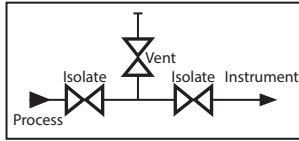
MODEL - DBBM



DOUBLE BLOCK AND BLEED MONOFLANGE (With vent plug) THREE VALVE MANIFOLD Rated as flange 2 x Standard Isolate and Vent Valve (plugged port)

| | |
|-----------------|--------|
| ISOLATE | Red |
| VENT | Yellow |
| EQUALIZE | Blue |

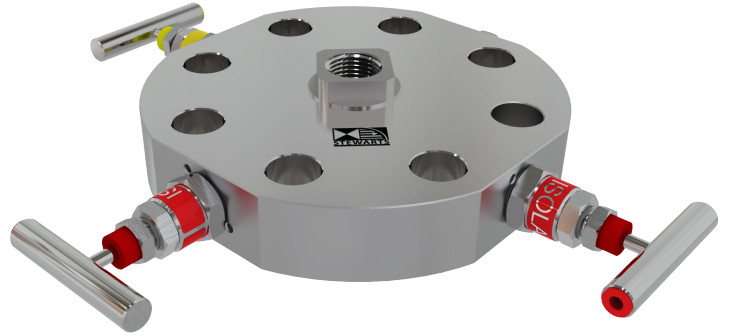
Valve Colour Coding



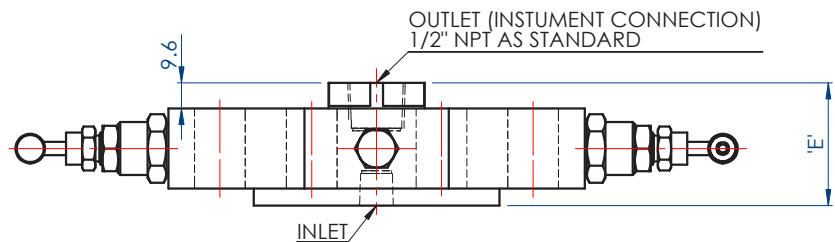
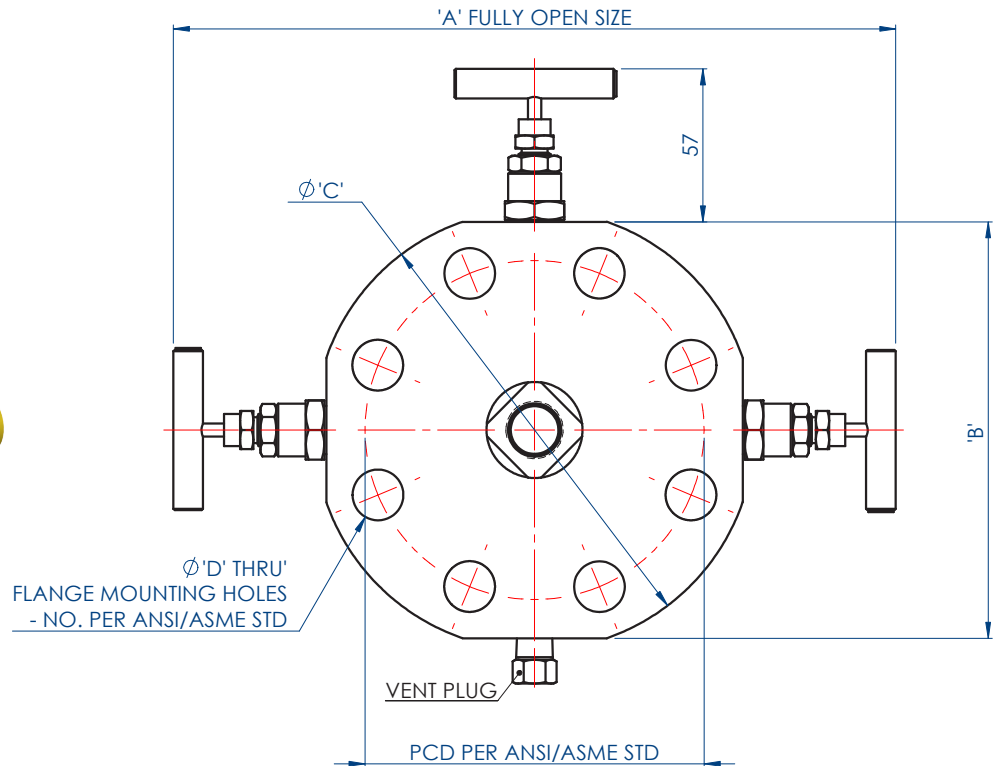
APPLICATION

Mono-flange manifolds are suitable for gauge or instrument mounting direct to a system via a standard flange take off point. Various flange ratings available to suit almost any pressure rating and size within piping systems. Standard applications include static instrumentation, pressure gauges, transmitters, and pressure switches.

Due to the compact size of the weight savings are optimised, therefore offshore installations, F.P.S.O's can benefit greatly. Furthermore, this slimline format does not require supporting. All in all any installation requiring a safer, more compact, lightweight, cost saving pipeline instrument solution can take advantage of the Stewarts mono-flange manifold range.



TYPICAL APPLICATION



STEWART-BUCHANAN GAUGES LTD

Sales Office & Manufacturing Facility - 7 Garrel Road, Burnside Industrial Estate Kilsyth, Glasgow G65 9JX, SCOTLAND
Tel: +44 (0)1236 821533 | Fax: +44 (0)1236 824090 | E-mail: sales@stewarts-group.com | Web: stewarts-group.com

DATA SHEET REF: DBBM-REV01-14



MODEL - DBBM



DOUBLE BLOCK AND BLEED MONOFLANGE (With vent plug)
THREE VALVE MANIFOLD Rated as flange

DIMENSION CHART

DBBM flanges dimension table

| Std. | Flange Size | Class | CODE | A (approx.) | B | C | D | E | | Groove Number | No. Of Holes | Holes PCD | Weight (kg) |
|------|-------------|--------------|----------|----------------|--------|--------|------|------|------|------------------|-----------------|--------------|----------------|
| | | | | | | | | RF | RTJ | | | | |
| ASME | 1/2" | 150 | 1A | 196 | 80 | 89 | 16 | 41 | - | N/A | 4 | 60.3 | 1.4 |
| | 3/4" | | 2A | 204 | 86 | 98.4 | 15.9 | 41 | - | N/A | 4 | 69.8 | 1.5 |
| | 1" | | 3A | 216 | 100 | 108 | 15.9 | 41 | 46 | R15 | 4 | 79.4 | 2.1 |
| | 1-1/2" | | 4A | 234 | 116 | 127 | 15 | 41 | 46 | R19 | 4 | 98.4 | 2.9 |
| | 2" | | 5A | 252 | 136 | 152.4 | 19 | 41 | 46 | R22 | 4 | 120.6 | 4.1 |
| | 1/2" | 300 | 1B | 202 | 86 | 95.2 | 15.9 | 41 | 45 | R11 | 4 | 66.7 | 1.6 |
| | 3/4" | | 2B | 223 | 105 | 117 | 19 | 41 | 46 | R13 | 4 | 82.5 | 2.4 |
| | 1" | | 3B | 232 | 116 | 123.9 | 19 | 41 | 46 | R16 | 4 | 88.9 | 2.7 |
| | 1-1/2" | | 4B | 254 | 136 | 15.6 | 22.2 | 41 | 46 | R20 | 4 | 114.3 | 4.0 |
| | 2" | | 5B | 274 | 156 | 165.1 | 19 | 41 | 47 | R23 | 8 | 127 | 4.7 |
| | 1/2" | 600 | 1C | 202 | 86 | 95.2 | 15.9 | 46 | 45 | R11 | 4 | 66.7 | 1.7 |
| | 3/4" | | 2C | 228 | 110 | 117 | 19 | 46 | 46 | R13 | 4 | 82.5 | 2.6 |
| | 1" | | 3C | 232 | 116 | 124 | 19 | 46 | 46 | R16 | 4 | 88.9 | 2.8 |
| | 1-1/2" | | 4C | 254 | 136 | 155.6 | 22.2 | 46 | 46 | R20 | 4 | 114.3 | 4.3 |
| | 2" | | 5C | 274 | 156 | 165.1 | 19 | 46 | 48 | R23 | 8 | 127 | 5.0 |
| | 1/2" | 900/ 1500 | 1D or 1E | 228 | 110 | 120 | 22.2 | 46 | 46 | R12 | 4 | 82.5 | 2.5 |
| | 3/4" | | 2D or 2E | 231 | 116 | 130.2 | 22.2 | 46 | 46 | R14 | 4 | 88.9 | 2.8 |
| | 1" | | 3D or 3E | 254 | 136 | 149 | 25.4 | 46 | 46 | R16 | 4 | 101.6 | 3.9 |
| | 1-1/2" | | 4D or 4E | 272 | 156 | 177.8 | 28.6 | 48 | 48 | R20 | 4 | 123.8 | 5.4 |
| | 2" | | 5D or 5E | 321 | 205 | 215.9 | 25.4 | 54 | 56 | R24 | 8 | 165.1 | 10.1 |
| | 1/2" | 2500 | 1F | 234 | 122 | 133.35 | 22.2 | 46.2 | 46.2 | R13 | 4 | 88.9 | 3.3 |
| | 3/4" | | 2F | 241 | 126 | 139.7 | 22.2 | 47.7 | 47.7 | R16 | 4 | 95.2 | 3.7 |
| | 1" | | 3F | 261 | 146 | 158.75 | 25.4 | 51 | 51 | R18 | 4 | 107.95 | 5.1 |
| | 1-1/2" | | 4F | 301 | 186 | 203.2 | 31.7 | 60.4 | 62 | R23 | 4 | 146.05 | 10.4 |
| 2" | 5F | | 340 | 225 | 234.95 | 28.6 | 66.7 | 68.3 | R26 | 8 | 171.45 | 16.0 | |

HOW TO ORDER

| DBBM Part No Creation | | | | |
|---|----------------|--|-----------------------|---|
| SAMPLE PART NO | | | | |
| DBBM-1C-07F-RF-AI-AL (ADD AL WHEN ISO15156 / NACE MR0175 IS REQUIRED) | | | | |
| 1 | C | 07F | RF | AI |
| INLET SIZE & RATING | | OUTLET CODES | | 316 Stainless Steel (UNS S31600) |
| 1 = 1/2" (DN15) | A = 150 CLASS | 03F = 1/4" NPT | RF = RAISED FACE | AI = 316 Stainless Steel (UNS S31600) |
| 2 = 3/4" (DN20) | B = 300 CLASS | 05F = 3/8" NPT | RTJ = RING TYPE JOINT | MO = MONEL® 400 (UNS N04400) |
| 3 = 1" (DN25) | C = 600 CLASS | 07F = 1/2" NPT | | HA = HASTELLOY® C-276 ° (UNS N10276) |
| 4 = 1.5" (DN40) | D = 900 CLASS | 04F = 1/4" BSPP | | IL = INCONEL® 625 (UNS N06625) |
| 5 = 2" (DN50) | E = 1500 CLASS | 06F = 3/8" BSPP | | IN = INCOLOY® 825 (UNS N08825) |
| 6 = 2.5" (DN65) | F = 2500 CLASS | 08F = 1/2" BSPP | | TI = TITANIUM Gr.2 (UNS R50400) |
| 7 = 3" (DN80) | G = PN2.5 | 13F = 1/4" BSPTaper | | DU = DUPLEX UNS (UNS S31803) |
| 8 = 4" (DN100) | H = PN6 | 14F = 3/8" BSPTaper | | SD = SUPER DUPLEX (UNS S32760) |
| | J = PN10 | 15F = 1/2" BSPTaper | | HC = HASTELLOY® C-22 (UNS N06022) |
| | K = PN16 | Integral SWIVEMAS® Connection to Stewarts Pressure Gauge available | | SA = SUPER AUSTENITIC ST.ST 6%Mo (UNS S31254) |
| | L = PN25 | | | |
| | M = PN40 | | | |
| | N = PN63 | | | |
| | | | | |

See HOW TO ORDER NEEDLE VALVES & MANIFOLDS Data Sheet For Optional Extras

STEWART-BUCHANAN GAUGES LTD

Sales Office & Manufacturing Facility - 7 Garrell Road, Burnside Industrial Estate Kilsyth, Glasgow G65 9JX, SCOTLAND
 Tel: +44 (0)1236 821533 | Fax: +44 (0)1236 824090 | E-mail: sales@stewarts-group.com | Web: stewarts-group.com

DATA SHEET REF: DBBM-REV01-14

