

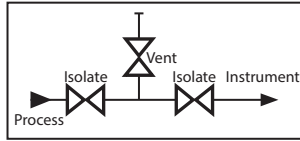
MODEL - CCDBBM



Close-Coupled Double Block and Bleed MONOFLANGE
with IEC 61518 TYPE A or B Outlet connection (not differential)

ISOLATE	Red
VENT	Yellow
EQUALIZE	Blue

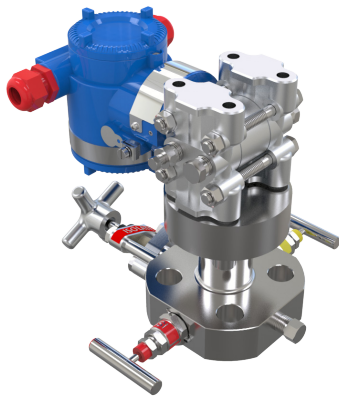
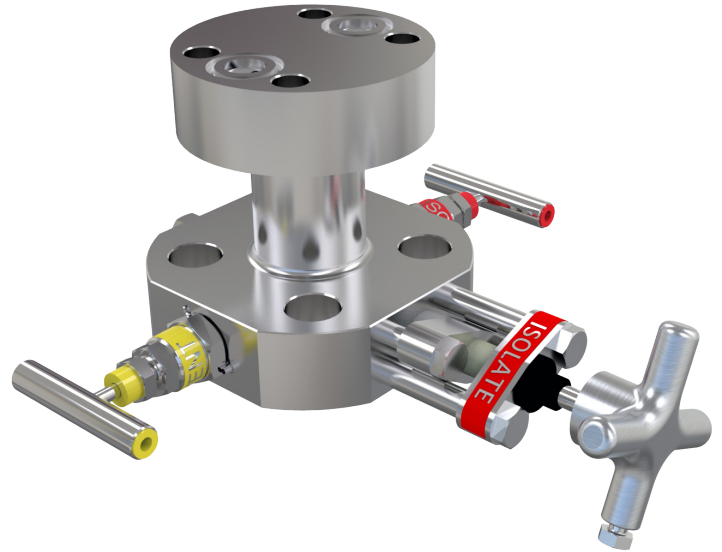
Valve Colour Coding



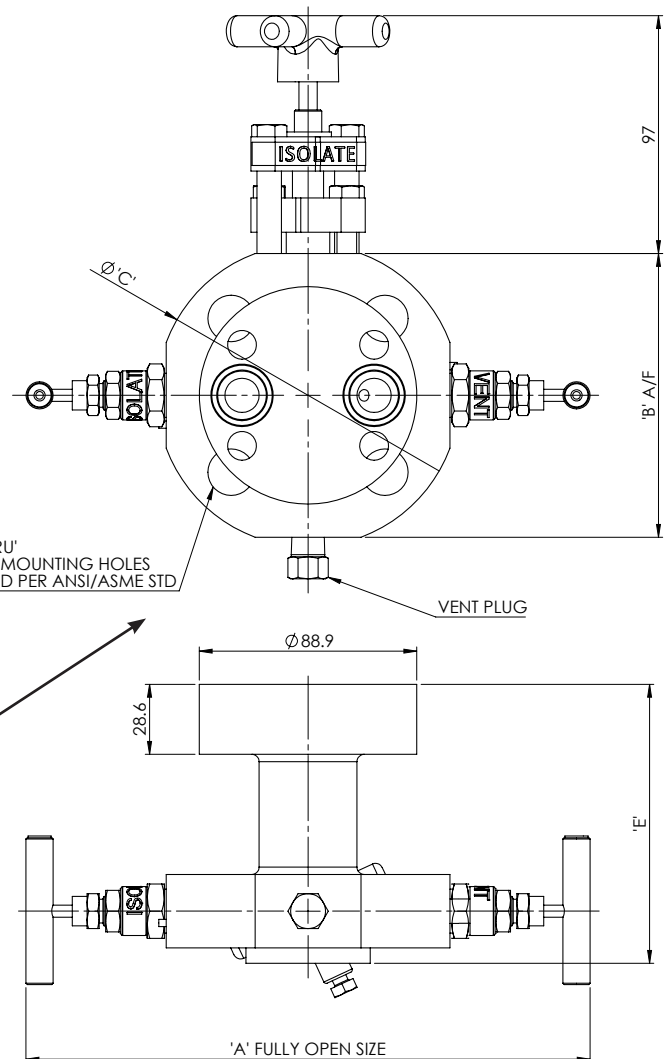
APPLICATION

Mono-flange manifolds are suitable for gauge or instrument mounting direct to a system via a standard flange take off point. Various flange ratings available to suit almost any pressure rating and size within piping systems. Standard applications include static instrumentation, pressure gauges, transmitters, and pressure switches.

Due to the compact size the weight savings are optimised, therefore offshore installations, F.P.S.O's can benefit greatly. Furthermore, this slimline format does not require supporting. All in all any installation requiring a safer, more compact, lightweight, cost saving pipeline instrument solution can take advantage of the Stewarts mono-flange manifold range.



TYPICAL APPLICATION



Ø 'D' THRU' FLANGE MOUNTING HOLES No & PCD PER ANSI/ASME STD

Part No = CCDBBM-3C-DIR-RF-AI
ie 1" x 600 lbs RF inlet with IEC 61518 type B outlet, 316 ST/ST construction.

STEWART-BUCHANAN GAUGES LTD

Sales Office & Manufacturing Facility - 7 Garrell Road, Burnside Industrial Estate Kilsyth, Glasgow G65 9JX, SCOTLAND
Tel: +44 (0)1236 821533 | Fax: +44 (0)1236 824090 | E-mail: sales@stewarts-group.com | Web: stewarts-group.com

DATA SHEET REF: CCMONO-REV01-15



MODEL - CCDBBM



Close-Coupled Double Block and Bleed MONOFLANGE
with IEC 61518 TYPE A or B Outlet connection (not differential)

DIMENSION CHART

OSYM flanges dimension table

Std.	Flange Size	Class	CODE	A (approx.)	B	C	D	E		Groove Number	No. Of Holes	Holes PCD
								RF	RTJ			
ASME	1/2"	150	1A	196	80	89	15.9	109.3	-	N/A	4	60.3
	3/4"		2A	204	86	98.4	15.9	109.3	-	N/A	4	69.8
	1"		3A	216	100	108	15.9	109.3	114	R15	4	79.4
	1-1/2"		4A	234	116	127	15.9	109.3	114	R19	4	98.4
	2"		5A	252	136	152.4	19	109.3	114	R22	4	120.6
	1/2"	300	1B	202	86	95.2	15.9	109.3	113.2	R11	4	66.7
	3/4"		2B	223	105	117	19	109.3	114	R13	4	82.5
	1"		3B	232	116	123.9	19	109.3	114	R16	4	88.9
	1-1/2"		4B	254	136	156	22.2	109.3	114	R20	4	114.3
	2"		5B	274	156	165.1	19	109.3	115.6	R23	8	127
	1/2"	600	1C	202	86	95.2	15.9	114	113.2	R11	4	66.7
	3/4"		2C	228	110	117	19	114	114	R13	4	82.5
	1"		3C	232	116	124	19	114	114	R16	4	88.9
	1-1/2"		4C	254	136	155.6	22.2	114	114	R20	4	114.3
	2"		5C	274	156	165.1	19	114	115.6	R23	8	127
	1/2"	900/ 1500	1D or 1E	228	110	120	22.2	114	114	R12	4	82.5
	3/4"		2D or 2E	231	116	130.2	22.2	114	114	R14	4	88.9
	1"		3D or 3E	254	136	149	25.4	114	114	R16	4	101.6
	1-1/2"		4D or 4E	272	156	177.8	28.6	115.8	115.8	R20	4	123.8
	2"		5D or 5E	321	205	215.9	25.4	122.1	123.7	R24	8	165.1
1/2"	2500	1F	234	122	133.35	22.2	114.2	114.2	R13	4	88.9	
3/4"		2F	241	126	139.7	22.2	115.7	115.7	R16	4	95.2	
1"		3F	261	146	158.75	25.4	118.9	118.9	R18	4	107.95	
1-1/2"		4F	301	186	203.2	31.7	128.4	130	R23	4	146.05	
2"		5F	340	225	234.95	28.6	134.8	136.4	R26	8	171.45	

HOW TO ORDER

CCDBBM Part No Creation				
SAMPLE PART NO				
CCDBBM-1C-DMA-RF-AI-AL (ADD AL WHEN ISO15156 / NACE MR0175 IS REQUIRED)				
1	C	DMA	RF	AI
INLET SIZE & RATING		DIRECT MOUNT OUTLET	FLANGE TYPE	MATERIAL
1 = 1/2" (DN15)	A = 150 CLASS	DMA = IEC Type A	RF = RAISED FACE	AI = 316 Stainless Steel (UNS S31600)
2 = 3/4" (DN20)	B = 300 CLASS	DIR = IEC Type B	RTJ = RING TYPE JOINT	MO = MONEL® 400 (UNS N04400)
3 = 1" (DN25)	C = 600 CLASS			HA = HASTELLOY® C-276® (UNS N10276)
4 = 1.5" (DN40)	D = 900 CLASS			IL = INCONEL® 625 (UNS N06625)
5 = 2" (DN50)	E = 1500 CLASS			IN = INCOLOY® 825 (UNS N08825)
6 = 2.5" (DN65)	F = 2500 CLASS			TI = TITANIUM Gr.2 (UNS R50400)
7 = 3" (DN80)	G = PN2.5			DU = DUPLEX UNS (UNS S31803)
8 = 4" (DN100)	H = PN6			SD = SUPER DUPLEX (UNS S32760)
	J = PN10			HC = HASTELLOY® C-22 (UNS N06022)
	K = PN16			SA = SUPER AUSTENITIC ST.ST 6%Mo (UNS S31254)
	L = PN25			
	M = PN40			
	N = PN63			
Note: Other materials available on request.				

See HOW TO ORDER NEEDLE VALVES & MANIFOLDS Data Sheet For Optional Extras

STEWART-BUCHANAN GAUGES LTD

Sales Office & Manufacturing Facility - 7 Garrell Road, Burnside Industrial Estate Kilsyth, Glasgow G65 9JX, SCOTLAND
Tel: +44 (0)1236 821533 | Fax: +44 (0)1236 824090 | E-mail: sales@stewarts-group.com | Web: stewarts-group.com

DATA SHEET REF: CCMONO-REV01-14

