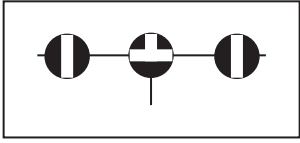


# MODEL - BVH3

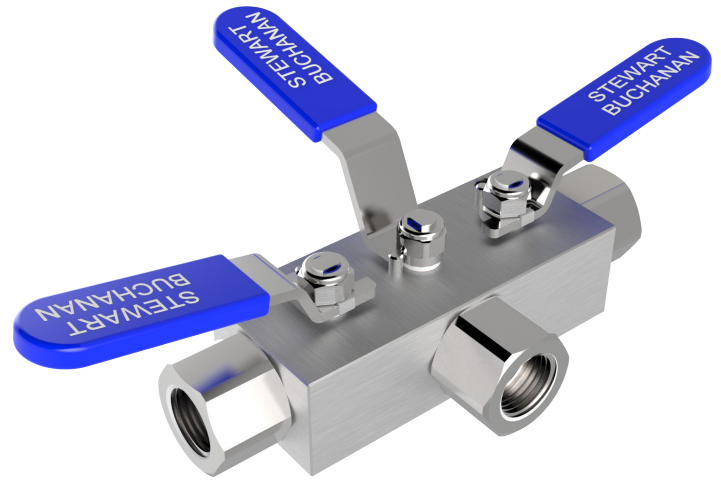


## DOUBLE BLOCK AND BLEED (DBB) VALVE WITH CENTRAL "T" PORTED BALL VALVE 413 bar (6000 psi)

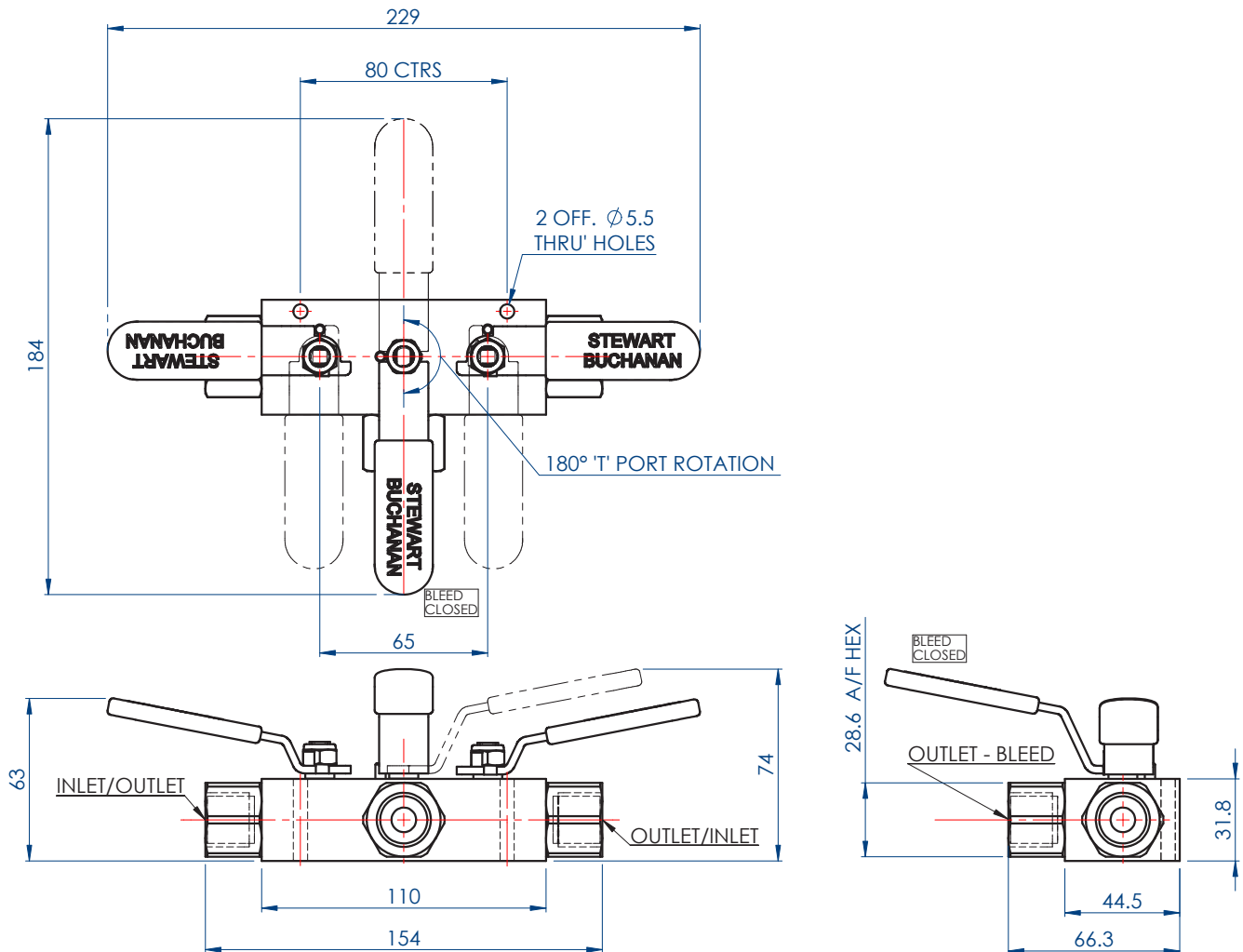


### APPLICATION

An excellent choice for sampling or chemical injection.  
Also available in a range of other materials and options  
(See HOW TO ORDER Data Sheet).



WEIGHT = 5.4 kg



### STEWART-BUCHANAN GAUGES LTD

Sales Office & Manufacturing Facility - 7 Garrell Road, Burnside Industrial Estate Kilsyth, Glasgow G65 9JX, SCOTLAND  
Tel: +44 (0)1236 821533 | Fax: +44 (0)1236 824090 | E-mail: sales@stewarts-group.com | Web: stewarts-group.com

DATA SHEET REF: BVH3-REV01-15

