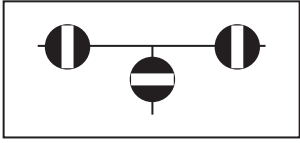


# MODEL - BVG3



## DOUBLE BLOCK AND BLEED (DBB) VALVE MANIFOLD

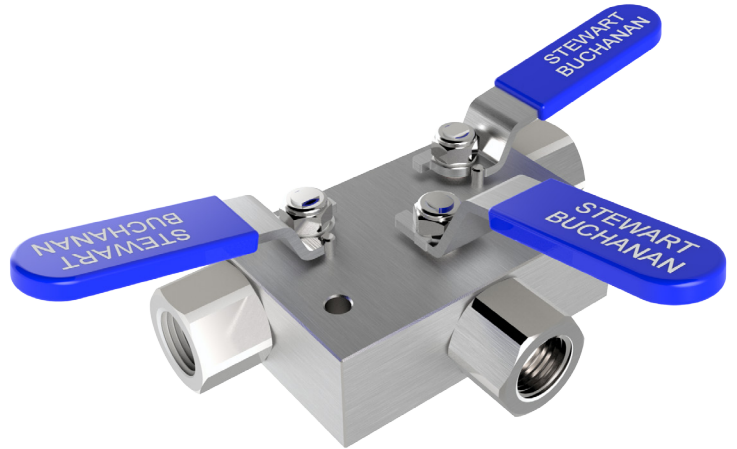
413 bar (6000 psi)



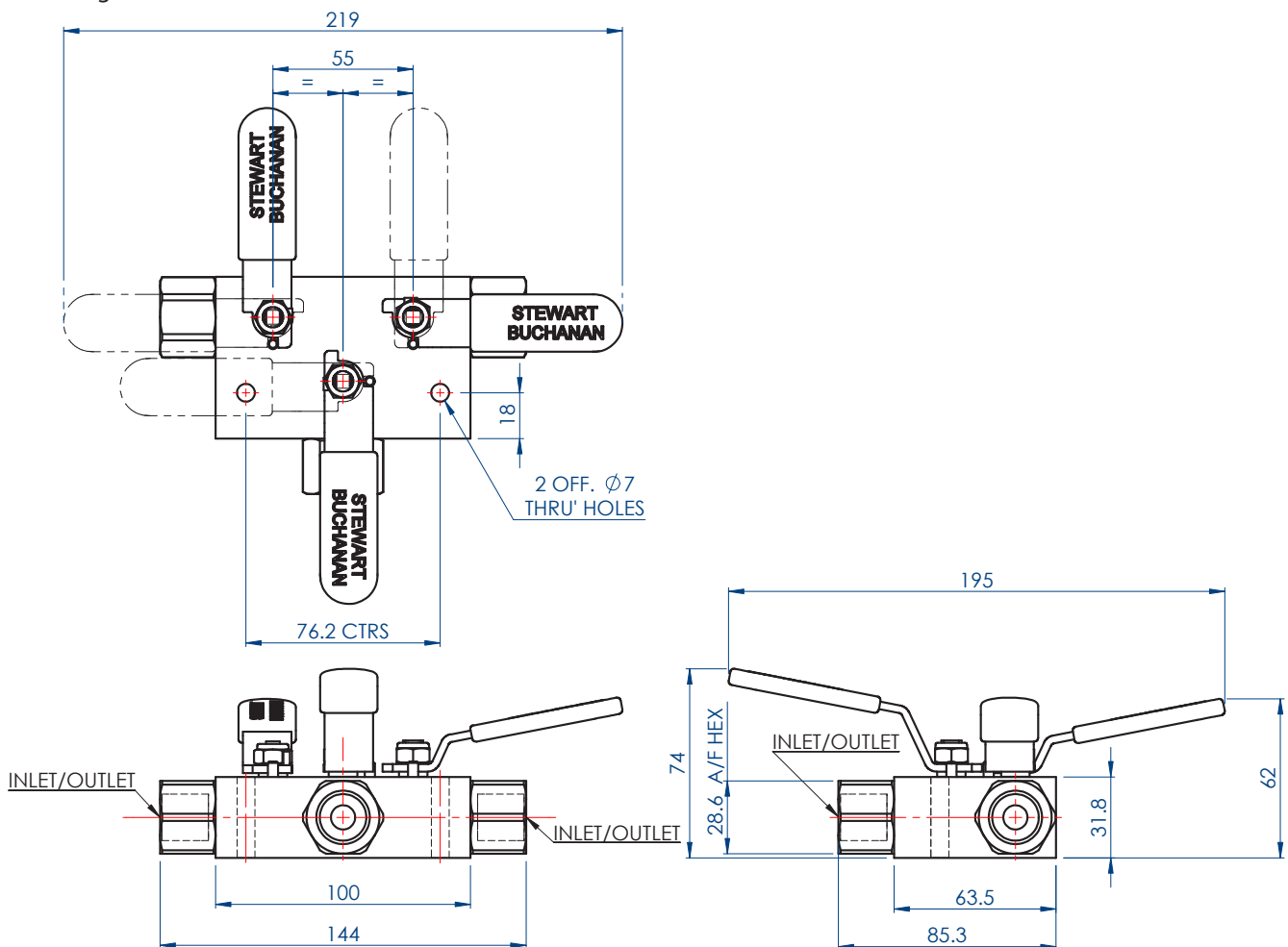
### APPLICATION

An excellent choice for sampling, chemical injection or double block and bleed of instrument.

Also available in a range of other materials and options (See HOW TO ORDER Data Sheet).



WEIGHT = 2.3 kg



## STEWART-BUCHANAN GAUGES LTD

Sales Office & Manufacturing Facility - 7 Garrell Road, Burnside Industrial Estate Kilsyth, Glasgow G65 9JX, SCOTLAND  
Tel: +44 (0)1236 821533 | Fax: +44 (0)1236 824090 | E-mail: sales@stewarts-group.com | Web: stewarts-group.com

DATA SHEET REF: BVG3-REV01-15

