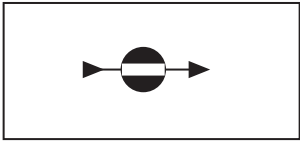


# MODEL - BV8



## SPANNER ACTUATED IN LINE BALL VALVE

207 bar (3000 psi)

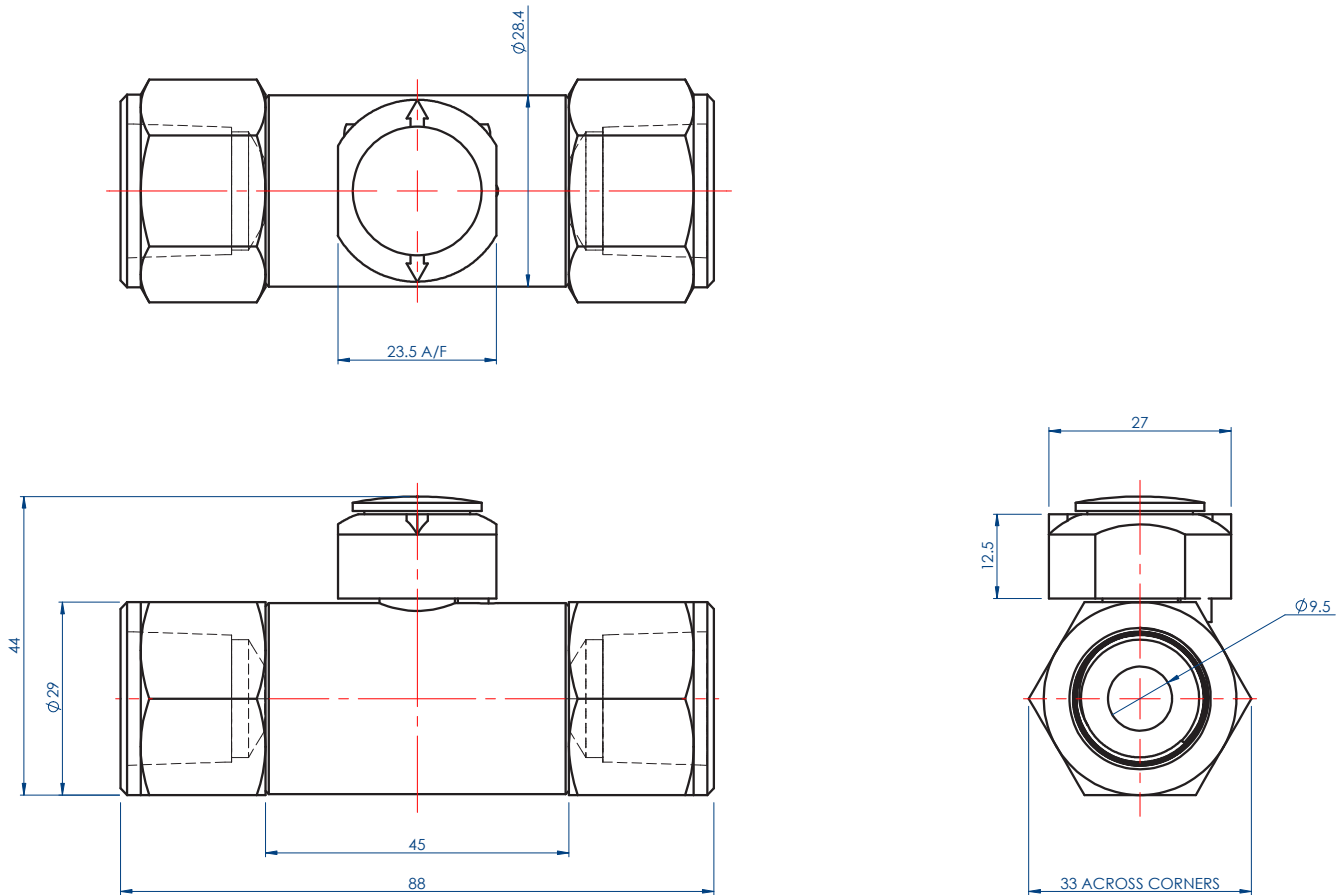


### APPLICATION

High Integrity spanner actuated isolation valve.  
Recommended for use in gas applications for essential long-term performance.  
Also available in a range of other materials and options  
(See HOW TO ORDER Data Sheet).



WEIGHT = 0.4kg



## STEWART-BUCHANAN GAUGES LTD

Sales Office & Manufacturing Facility - 7 Garrell Road, Burnside Industrial Estate Kilsyth, Glasgow G65 9JX, SCOTLAND  
Tel: +44 (0)1236 821533 | Fax: +44 (0)1236 824090 | E-mail: sales@stewarts-group.com | Web: stewarts-group.com

DATA SHEET REF: BV8-REV01-15

