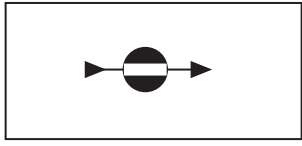


MODEL - BV8



SPANNER ACTUATED IN LINE BALL VALVE

207 bar (3000 psi)

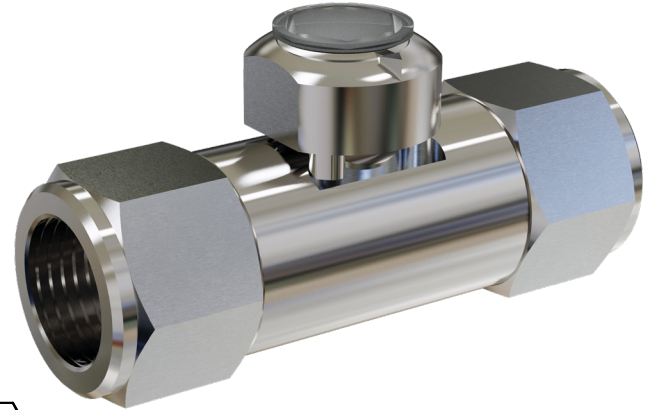


APPLICATION

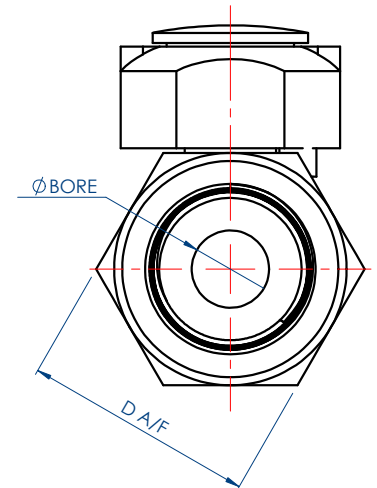
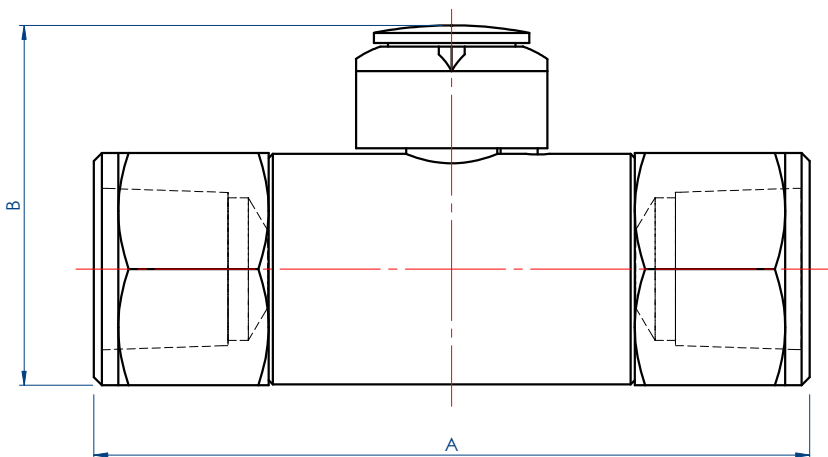
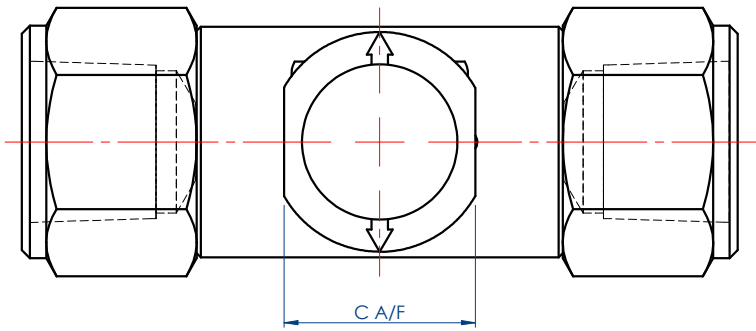
High Integrity spanner actuated isolation valve.
Recommended for use in gas applications for essential long-term performance. The standard thread is BSP Taper but also available in BSP Parallel and NPT

All valves are 100% leak tested on gas in accordance with the GIS/V8:2019 Approved Design.

(See HOW TO ORDER Data Sheet).



WEIGHT = 0.4kg



General Arrangement Dimensions in mm, tol' ± 1mm					
THREAD SIZE	BORE Ø	A	B	C	D
1/4"	9.5	88	44	23.5	28.6
3/8"	9.5	88	44	23.5	28.6
1/2"	9.5	88	44	23.5	28.6
3/4"	19	126	74	38.1	44.5
1"	19	126	74	38.1	44.5

STEWART-BUCHANAN GAUGES LTD

Sales Office & Manufacturing Facility - 7 Garrell Road, Burnside Industrial Estate Kilsyth, Glasgow G65 9JX, SCOTLAND
Tel: +44 (0)1236 821533 | Fax: +44 (0)1236 824090 | E-mail: sales@stewarts-group.com | Web: stewarts-group.com

DATA SHEET REF: BV8-REV01-15

