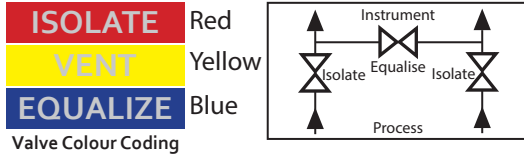


MODEL - Q3



DIRECT MOUNT (Angled Bonnet) THREE VALVE MANIFOLD 413 bar (6000 psi)



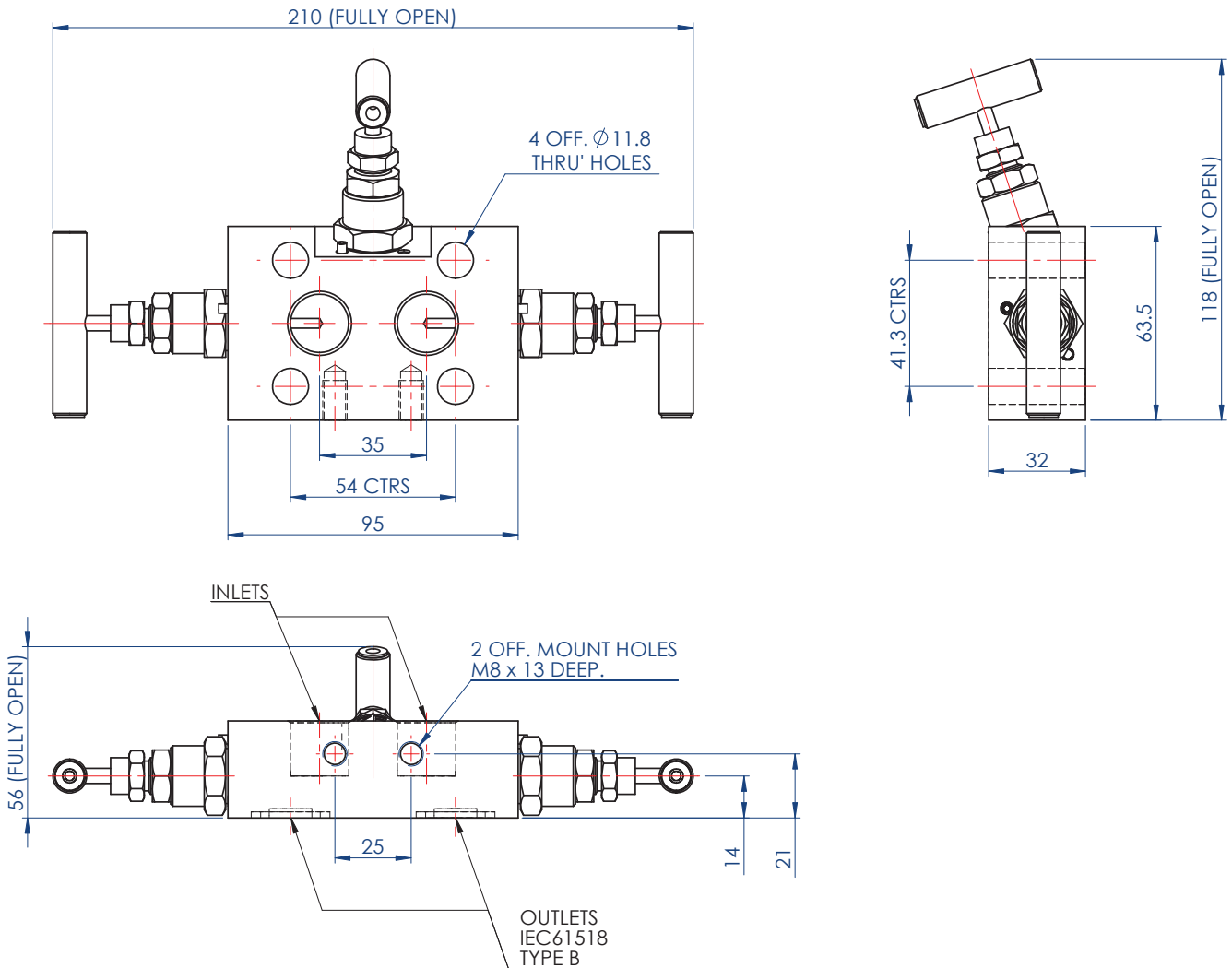
APPLICATION

Using The 3-Valve Manifold

In normal operation the "isolate" valves are open while the "equalize" valve is closed. This provides a differential pressure reading to the pressure gauge or transmitter. To zero the instrument, first close the downstream "isolate" valve then open the "equalize" valve and adjust the zero setting on the instrument. Also available in a range of other materials and options (See HOW TO ORDER Data Sheet).



WEIGHT = 1.6 kg



STEWART-BUCHANAN GAUGES LTD

Sales Office & Manufacturing Facility - 7 Garrel Road, Burnside Industrial Estate, Kilsyth, Glasgow G65 9JX, SCOTLAND
Tel: +44 (0)1236 821533 | Fax: +44 (0)1236 824090 | E-mail: sales@stewarts-group.com | Web: stewarts-group.com

