

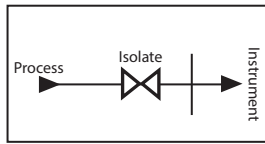
# MODEL - H1



## SINGLE BLOCK (In line Gauge Multiport) HAND VALVE 413 bar (6000 psi)

<b>ISOLATE</b>	Red
<b>VENT</b>	Yellow
<b>EQUALIZE</b>	Blue

Valve Colour Coding



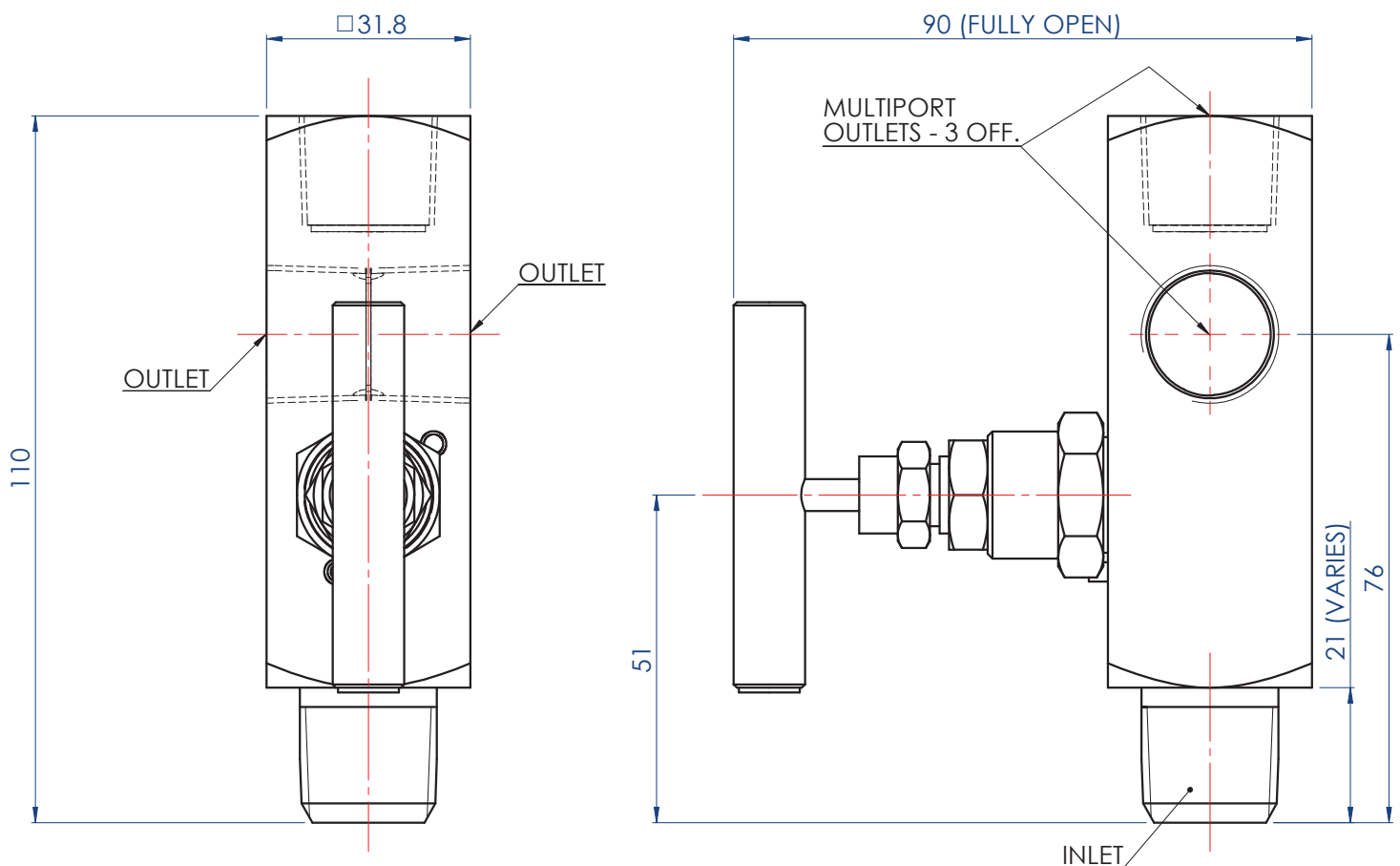
### APPLICATION

High Integrity instrument isolation of pressure gauges and pressure transmitters.

Also available in a range of other materials and options (See HOW TO ORDER Data Sheet).



WEIGHT = 0.7 kg



## STEWART-BUCHANAN GAUGES LTD

Sales Office & Manufacturing Facility - 7 Garrel Road, Burnside Industrial Estate, Kilsyth, Glasgow G65 9JX, SCOTLAND  
Tel: +44 (0)1236 821533 | Fax: +44 (0)1236 824090 | E-mail: sales@stewarts-group.com | Web: stewarts-group.com

DATA SHEET REF: H1MF-REV01-14

