

MODELS- 2042, 2043, 2047 Series



Rigid Stem Bi-Metal Stainless Steel Thermometer

An high technical specification and wide range of standard features make this thermometer the obvious choice for a wide range of process and engineering applications. Bi-Metal Thermometers with Rigid Stems are suitable for measuring and monitoring temperatures directly from the source of the heat. Bi-Metal Thermometers are often used in Chemical and Allied Industries such as Offshore Oil & Gas where the atmosphere is corrosive, and severe due to weather conditions.

STANDARD SPECIFICATION

Rigid Stem Bi-Metal Stainless Steel Thermometer
(Weatherproof Construction to IP66)

Temperature element
Bi-Metal System

Case
316 Stainless Steel Weatherproof Construction

Bezel
316 Stainless Steel

Dial
White Anodised Aluminium (Black Printing)

Pointer
Black Aluminium

Stem
Stainless Steel (Dia 6,8,10,12mm) (Length 100mm to 1000mm)

Window
Sheet Glass

Standard Size
63, 100, 150 mm

Accuracy class
1.5%

Scale Range
- 50 up to 600 deg C.

Thermowells See separate data sheet for details.

Model-2042



See Page-2 for Dimension,

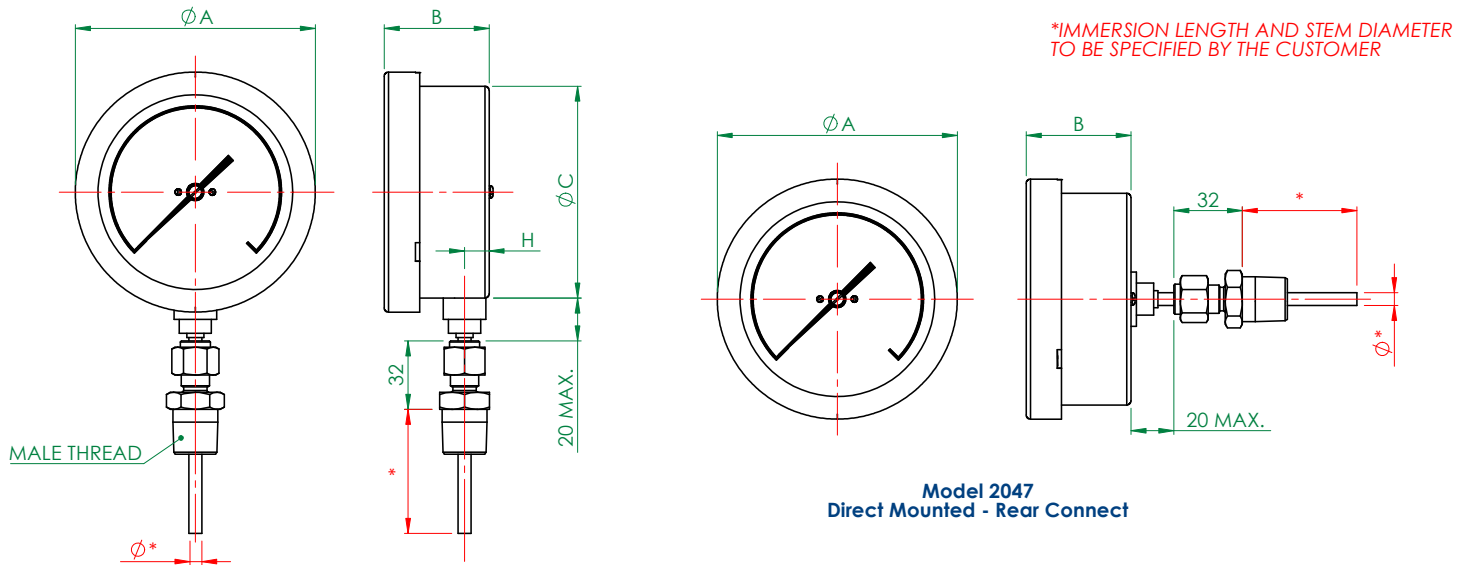
Optional Extras

- Pointer: Slot adjustable Black Finish.
- Window: laminated Safety Glass / Perspex.
- Thermowells: to user specification.
- Also available in Mild Steel Case with Brass Stem.
- Additional Variations: On request

Ordering Parameters, Please state the following: SIZE, MODEL NO, SCALE RANGE, CONNECTION, & OPTIONAL EXTRAS

MODELS- 2042, 2043, 2047 Series

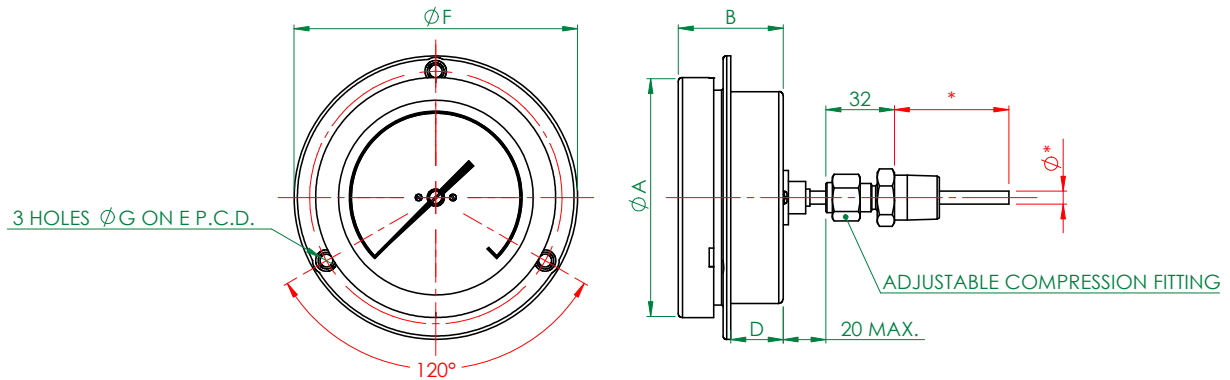
Rigid Stem Bi-Metal Stainless Steel Thermometer



Model 2042
Direct Mounted - Bottom Connect

Model 2047
Direct Mounted - Rear Connect

Model 2043
Flush Mounted Screw Fix - Rear Connect



RIGID STEM THERMOMETER DIMENSIONS										
Dial Size/mm	Case Matl	A	B	C	D	E	F	G	H	Cut out
63	Mild Steel	65	43	65	36	78	90	4		70
63	SST	68.5	37.5	62	21.5	75	85	3.8	8	66
100	Mild Steel	103	45	103	39	121	134	5		112
100	SST	112	48.5	99	24.5	118	132	6	11.5	106
125	Mild Steel	N/A								
125	SST	129	49	115	24.5	137	159	5.8	11.5	121
150	Mild Steel	152	45	152	39	175	185	5		160
150	SST	162	50.5	148	24	168	186	5.8	11.5	153

STEWART-BUCHANAN GAUGES LTD

Sales Office & Manufacturing Facility - 7 Garrell Road, Burnside Industrial Estate, Kilsyth, Glasgow G65 9JX, SCOTLAND
Tel: +44 (0)1236 821533 | Fax: +44 (0)1236 824090 | E-mail: sales@stewarts-group.com | Web: stewarts-group.com

DATA SHEET REF: RidgidStemTherm-REV01-16

