

# MODELS- ILORP



## Over Range Pressure Gauge Protector

### APPLICATIONS

Over Range Protectors are used to prevent a gauge from being over pressured and damaged, once the pre-set pressure is reached the Over Range Protector will prevent any further pressure from entering the instrument. Available in a range of materials to suit your requirement

### STANDARD SPECIFICATION

- Over range protector designed to protect gauges instruments etc, from surges in pressure.
- Available in shut-off ranges from 0.4 bar to 400 bar. (HP range Available from 2.5 to 600 bar)
- Maximum inlet pressure 600 bar. (HP 700 bar)
- Locking pin - safely locks Spring body in position.
- Maximum temperature 80°C, for ranges 0.4 - 2.5 bar and 110°C, for ranges 2.5 - 400 bar.
- Can be supplied to NACE MR-01-75-Latest edition.
- Materials:- 316 St.St., Monel, Hastelloy etc.  
**Low Pressure Only available in 316SS or Monel.**
- Standard seals are Viton, alternatives are available.  
**Please contact sales**



Model-ILORP-07M-07F-AI-H3

### How To Order

**Part No = ILORP-Inlet Code M or F-Outlet Code M or F-Material Code-Pressure Range Code**

**Example = ILORP-07M-07F-AI-M3 (ILORP 1/2" NPT Male, 1/2" NPT Female, 316 St. St, 20 to 70 bar)**

### Inlet & Outlet Codes

03 = 1/4" NPT	04 = 1/4" BSPP	13 = 1/4" BSPT
05 = 3/8" NPT	06 = 3/8" BSPP	14 = 3/8" BSPT
07 = 1/2" NPT	08 = 1/2" BSPP	15 = 1/2" BSPT
09 = 3/4" NPT	10 = 3/4" BSPP	16 = 3/4" BSPT
11 = 1" NPT	12 = 1" BSPP	17 = 1" BSPT

### Material Codes

AI = 316L Stainless Steel (UNS S31600 / S31603)	DU = DUPLEX (UNS S31803)
MO = MONEL® 400 (UNS N04400)	SD = SUPER DUPLEX (UNS S32760)
HA = HASTELLOY® C-276® (UNS N10276)	HC = HASTELLOY® C-22 (UNS N06022)
IL = INCONEL® 625 (UNS N06625)	SA = SUPER AUSTENITIC ST.ST 6%Mo (UNS S31254)
IN = INCOLOY® 825 (UNS N08825)	NAB = NICKEL ALUMINIUM BRONZE (UNS C95800, C95500)
TI = TITANIUM Gr.2 (UNS R50400)	

### Pressure Ranges

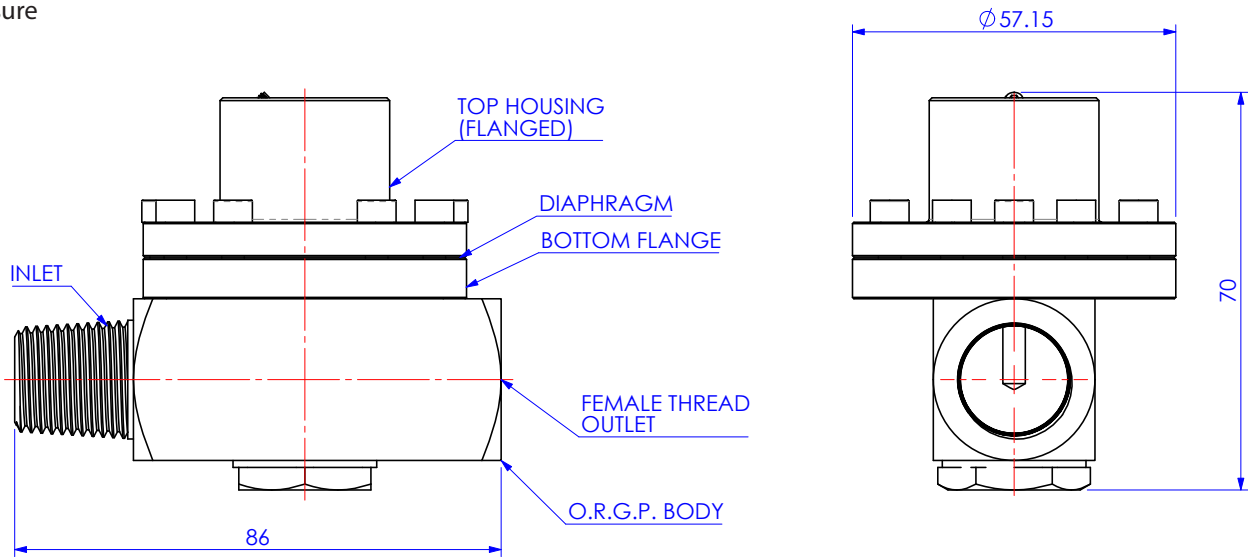
Pressure Range Codes Low (600 bar)	Pressure Range Codes Std (600 bar)	Pressure Range Codes High (700 bar)
L = 0.4 to 2.5 bar	M1 = 2.5 to 6 bar	H1 = 2.5 to 6 bar
	M2 = 6 to 20 bar	H2 = 6 to 20 bar
	M3 = 20 to 70 bar	H3 = 20 to 70 bar
	M4 = 70 to 200 bar	H4 = 70 to 200 bar
	M5 = 200 to 400 bar	H5 = 200 to 400 bar
		HP = 400 to 600 bar

# MODELS- ILORP

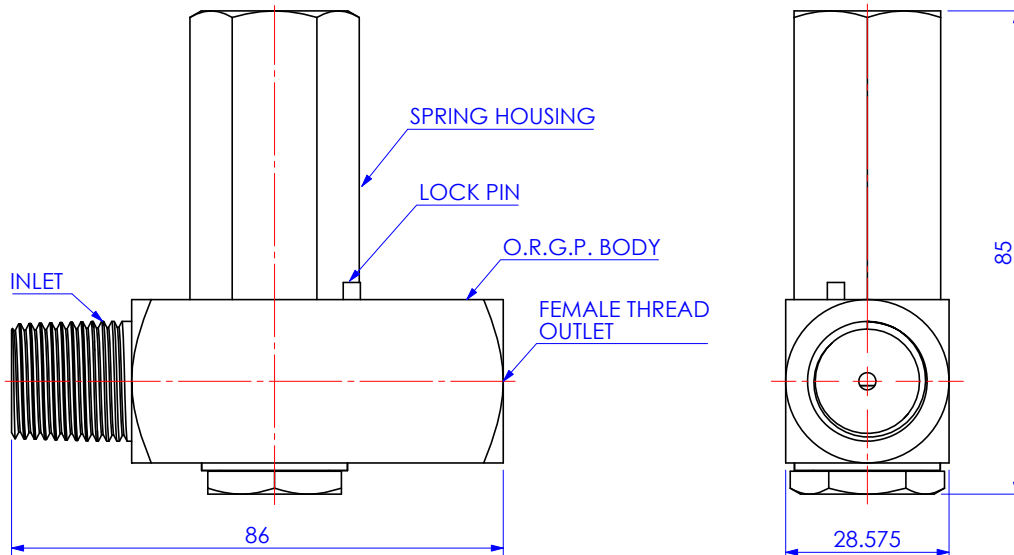
## Over Range Pressure Gauge Protector



### Low Pressure



### Standard Pressure



### High Pressure

