

MODELS-DPSC



Differential Pressure Gauge Sealed Case

APPLICATIONS

For use on **Clean Dry Air or Gas only**. Capsule differential pressure gauges are designed for measuring small differential pressures. This gauge has two inlet ports, One port connected to the Capsule and the other open to the inside of the sealed case. In effect, such a gauge performs the mathematical operation of subtraction through mechanical means, (Can be used for Glove Box applications)

STANDARD SPECIFICATION

Sizes

100 and 150mm

Case/ Bezel

AISI 316 Stainless Steel, Stainless Steel Bezel (Bayonet type)
Weatherproof Construction (IP 66)

Socket & Element

316 Stainless Steel
316 Stainless Steel Capsule

Movement

Nickel Plated Brass

Dial

White Anodised Aluminium (Black Printing)

Pointer

Black Aluminium

Window

Perspex

Traceability

All instruments are individually calibrated and have an unique Serial Number.
Calibration Certificates are issued for each gauge

Certification available on request

- Certificate of Conformity Traceable to National Standards
- Group Certification (Pressure Test Calibration Statement)

Safety

All units are manufactured to comply with EN 837-1,

Installation instructions

Refer to EN 837-2 and our [Guidance On Use of Equipment](#) data sheet.

Accuracy class

2% Accuracy

Scale Range

(Can be + or - values)

Delta P range: Min 10 mbar
Max 400 mbar

Static pressure Max Atmospheric

Pressure Connection Thread

1/8", 1/4", 3/8", 1/2" NPT, BSP, BSPT

Note:

Capsule type DP Gauges are recommended for,
non-corrosive, Clean Dry Air or Gas only.

Model-DPSC/PCD



Model DPSC/PCD Direct Mount (Standard)

Model DPSC/PCS Surface Mount

Also available in *Front Flange Flush Panel Mounting and Rear Connection version. dimensions can be provided on request.*

Operating Temperature Range EN837

-20° to 60°C (-4°F to 140°F)

Temperature Error

Additional error when temperature changes from reference
Temperature of 20°C (68°F) ±0.4% for every 10°C (18°F) rising or Falling % of span

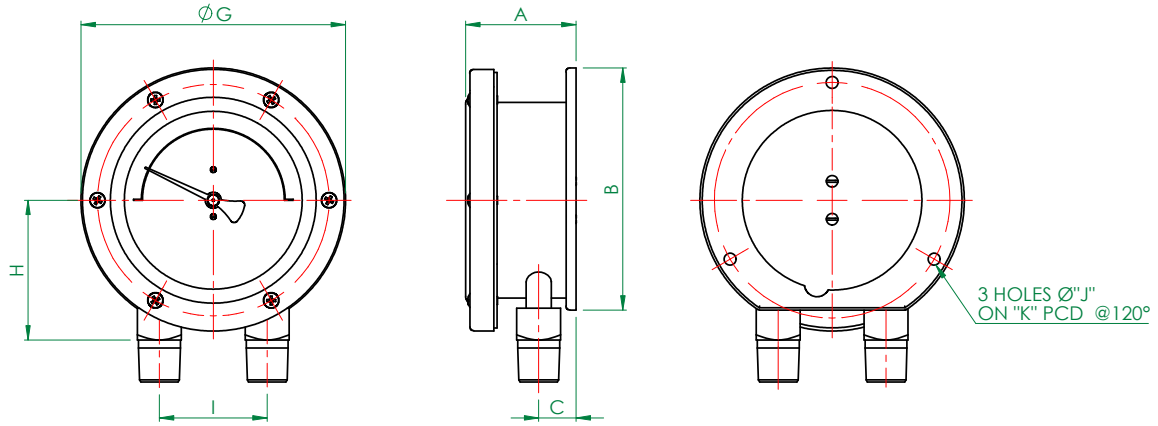
Optional Extras

- Optional dial materials & Custom markings
- Other pressure connections
- Customer logo printed on dial

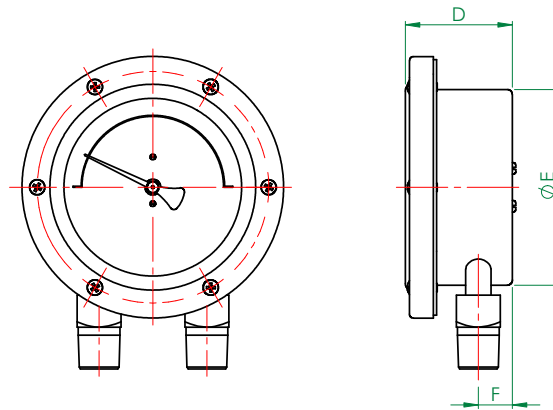
Ordering Parameters, Please state the following: SIZE, MODEL NO, SCALE RANGE, CONNECTION, PRESSURE MEDIUM & OPTIONAL EXTRAS

MODELS-DPSC

Differential Pressure Gauge Sealed Case



**MODEL DPSC/PCS
SURFACE MOUNTED**



**MODEL DPSC/PCD
DIRECT MOUNTED (STANDARD)**

General Arrangement Dimensions in mm, tol' ± 1mm												
Dim	A	B	C	D	E	F	G	H	I	J	K	Panel cut-out
Dial Ø 4" (100mm)	55	121	19	54	98	17	132.5	70	54	6	118	105
6" (150mm)	58	184	20	55	158.5	17	195.5	103	54	6	178	165

STEWART-BUCHANAN GAUGES LTD

Sales Office & Manufacturing Facility - 7 Garrell Road, Burnside Industrial Estate, Kilsyth, Glasgow G65 9JX, SCOTLAND
 Tel: +44 (0)1236 821533 | Fax: +44 (0)1236 824090 | E-mail: sales@stewarts-group.com | Web: stewarts-group.com

