

MODELS-OB11, OB11/SS



Opposed Burdon Tube Differential Pressure Gauges Manufactured to comply with M & E 3, M & E 100 and BS EN 837-1:1998.

APPLICATIONS

Differential pressures are commonly used in industrial process systems. Differential pressure gauges have two inlet ports, each connected to one of the volumes whose pressure is to be monitored. In effect, such a gauge performs the mathematical operation of subtraction through mechanical means, obviating the need for an operator or control system to watch two separate gauges and determine the difference in readings.

STANDARD SPECIFICATION

Sizes

100 and 150mm

Case/ Bezel

Black case, Chrome bezel as standard (IP54) or
AISI 316 Stainless Steel, Stainless Steel Bezel (Bayonet type)
Weatherproof Construction (IP 66)

Socket & Element

Brass, Phosphor bronze (Standard)
Options available

Movement

Nickel Plated Brass

Blowout Protection

Blow-out device (EN 837-1 S1)

Dial

White Anodised Aluminium (Black Printing)

Pointer

Black Aluminium

Window

Laminated Safety Glass

Traceability

All instruments are individually calibrated and have an unique Serial Number.
Calibration Certificates are issued for each gauge

Certification available on request

- Certificate of Conformity Traceable to National Standards
- Group Certification (Pressure Test Calibration Statement)

Safety

All units are manufactured to comply with EN 837-1, S1 Blowout device specification and other regulatory standards including PED 2014/68/EU.

Installation instructions

Refer to EN 837-2 and our [Guidance On Use of Equipment](#) data sheet.

Accuracy class

2% Accuracy

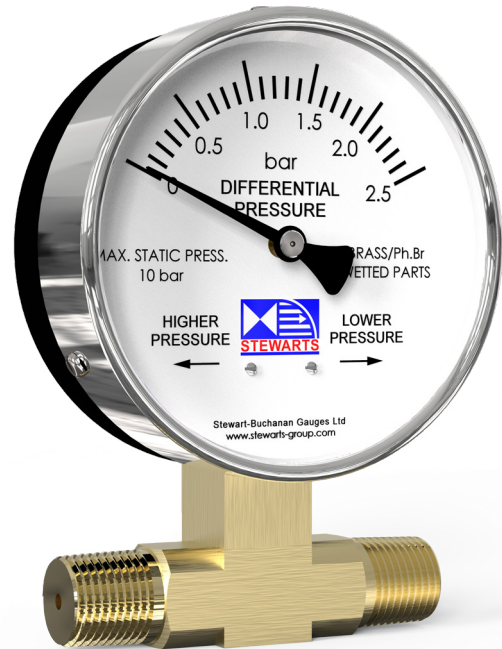
Scale Range

Working Ranges & Max Static Pressure
See individual data sheets and table below

Pressure Connection Thread

1/8", 1/4", 3/8", 1/2" NPT, BSP, BSPT

Model-OB11



Model OB11Direct and Surface Mount
Model OB11SS Surface Mount

Operating Temperature Range EN837

-20° to 60°C (-4°F to 140°F)

Temperature Error

Additional error when temperature changes from reference
Temperature of 20°C (68°F) ±0.4% for every 10°C (18°F) rising or Falling % of span

Optional Extras

- 316 Stainless Steel wetted parts
- Monel according to ISO 15156 / NACE MR-01-75 wetted parts
- Optional dial materials & Custom markings
- Other pressure connections
- Perspex window
- Customer logo printed on dial

Due to the wide range available, these instruments are strictly **made to order** only.
The ratio between maximum line pressure and dial range must be no more than 4:1.
A selection of ranges in Bar are shown below. Other scales and ranges are available.

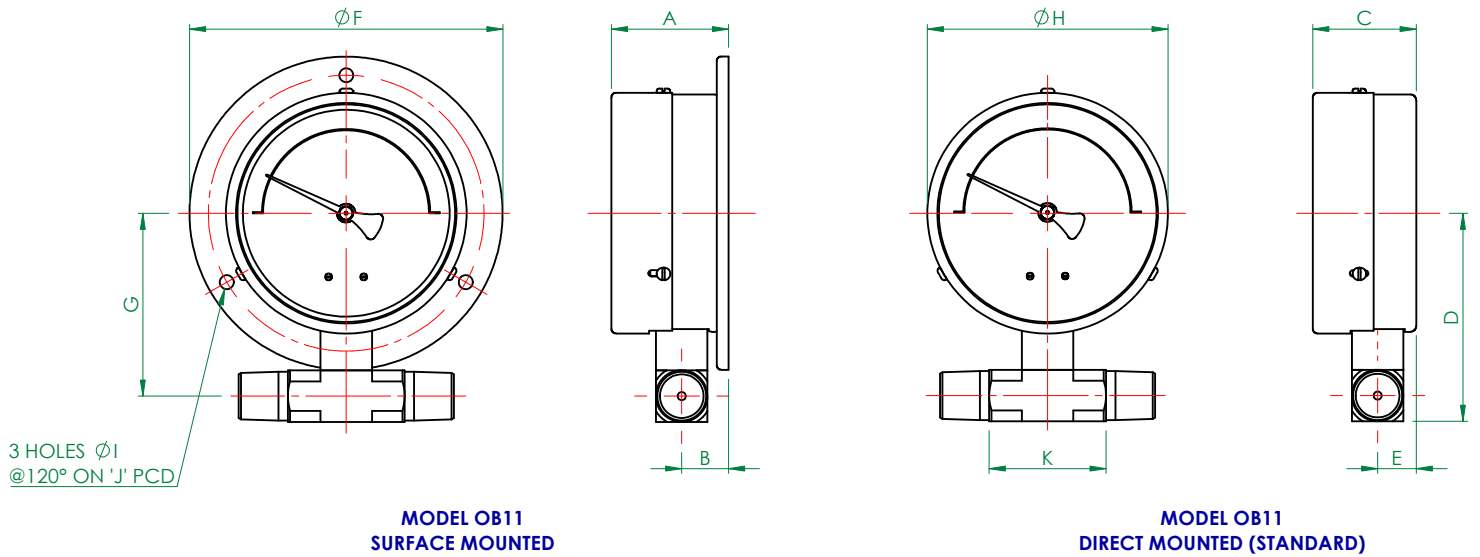
Details on request.

Dial Range	Max Line Pressure	100mm Direct Mount	100mm Surface Mount	150mm Direct Mount	150mm Surface Mount
0 / 1 bar	4 Bar	OB11-4D1	OB11-4S1	OB11-6D1	OB11-6S1
0 / 1.5 bar	6 bar	OB11-4D2	OB11-4S2	OB11-6D2	OB11-6S2
0 / 2 bar	8 bar	OB11-4D3	OB11-4S3	OB11-6D3	OB11-6S3
0 / 2.5 bar	10 bar	OB11-4D4	OB11-4S4	OB11-6D4	OB11-6S4
0 / 3 bar	12 bar	OB11-4D5	OB11-4S5	OB11-6D5	OB11-6S5

Ordering Parameters, Please state the following: SIZE, MODEL NO, SCALE RANGE, CONNECTION, PRESSURE MEDIUM & OPTIONAL EXTRAS

MODELS-OB11, OB11/SS

Model-OB11(Standard)



General Arrangement Dimensions in mm, tol' ± 1mm											
Dim	A	B	C	D	E	F	G	H	I	J	K
Dial Ø 4" (100mm)	50	20	44	89	16.5	134	78	103	6	118	50
6" (150mm)	50	14	48	116	16.5	162	105	153.0	5	168	50

SCALE RANGE

Delta P range: Min 1 bar
Max 3 bar

Static pressure Max 12 bar

MEASURING ELEMENT

Phosphor bronze Bourdon Tubes

STEWART-BUCHANAN GAUGES LTD

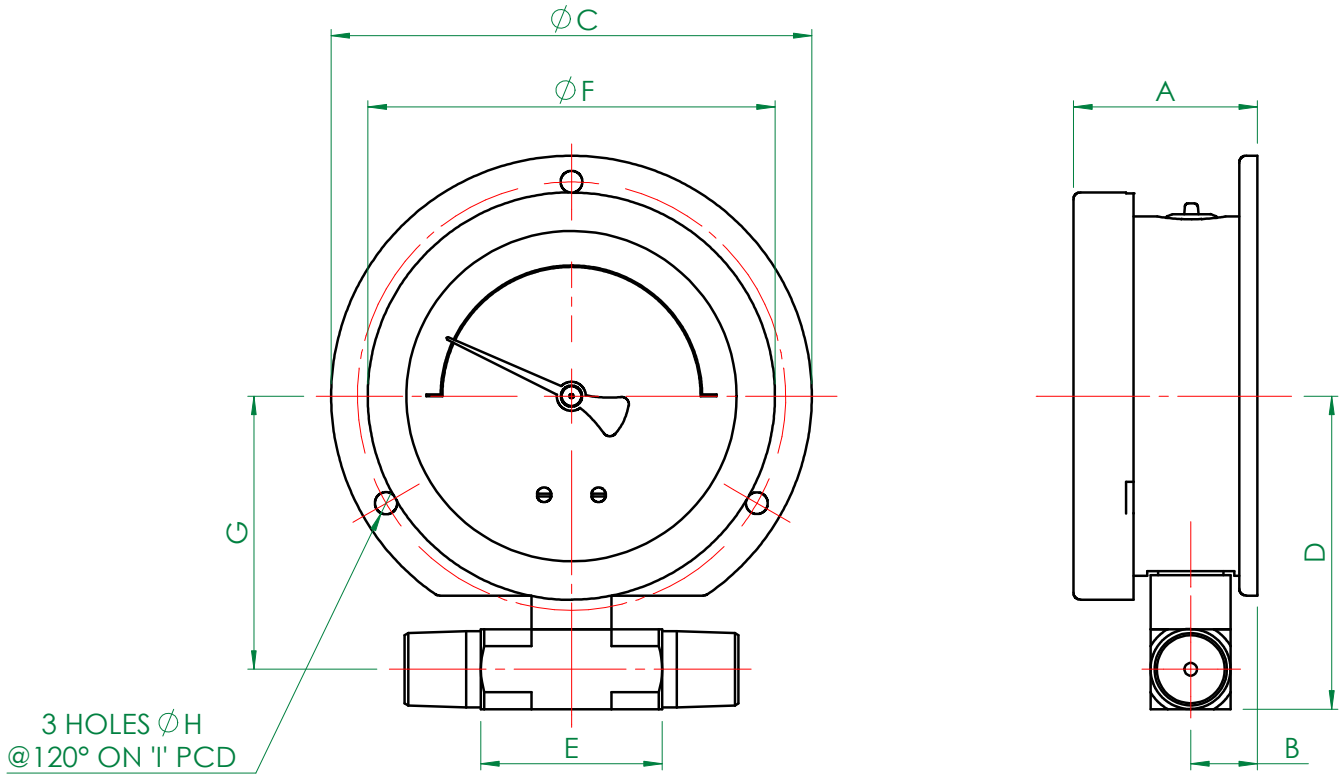
Sales Office & Manufacturing Facility - 7 Garrell Road, Burnside Industrial Estate, Kilsyth, Glasgow G65 9JX, SCOTLAND
Tel: +44 (0)1236 821533 | Fax: +44 (0)1236 824090 | E-mail: sales@stewarts-group.com | Web: stewarts-group.com

DATA SHEET REF: DiffOB11-REV01-19



MODELS-OB11, OB11/SS

Model-OB11/SS Stainless Steel



**MODEL OB11/SS
SURFACE MOUNTED**

General Arrangement Dimensions in mm, tol' ± 1 mm									
Dim	A	B	C	D	E	F	G	H	I
Dial ϕ 4" (100mm)	51	18.5	132.5	86	50	112	75	6	118
6" (150mm)	51	17	185	118	50	162	107	5.8	168

SCALE RANGE

Delta P range: Min 1 bar
Max 3 bar

Static pressure Max 12 bar

MEASURING ELEMENT

316Stainless Steel Bourdon Tubes

STEWART-BUCHANAN GAUGES LTD

Sales Office & Manufacturing Facility - 7 Garrell Road, Burnside Industrial Estate, Kilsyth, Glasgow G65 9JX, SCOTLAND
Tel: +44 (0)1236 821533 | Fax: +44 (0)1236 824090 | E-mail: sales@stewarts-group.com | Web: stewarts-group.com

DATA SHEET REF: DiffOB11-REV01-19

