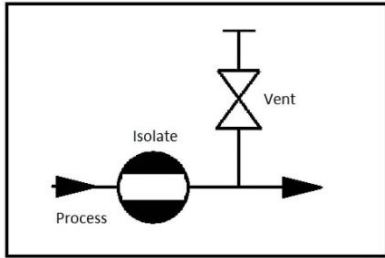


MODELS - BVR



FLANGED SINGLE BLOCK AND BLEED (SBB) Valves (with Vent Plug)

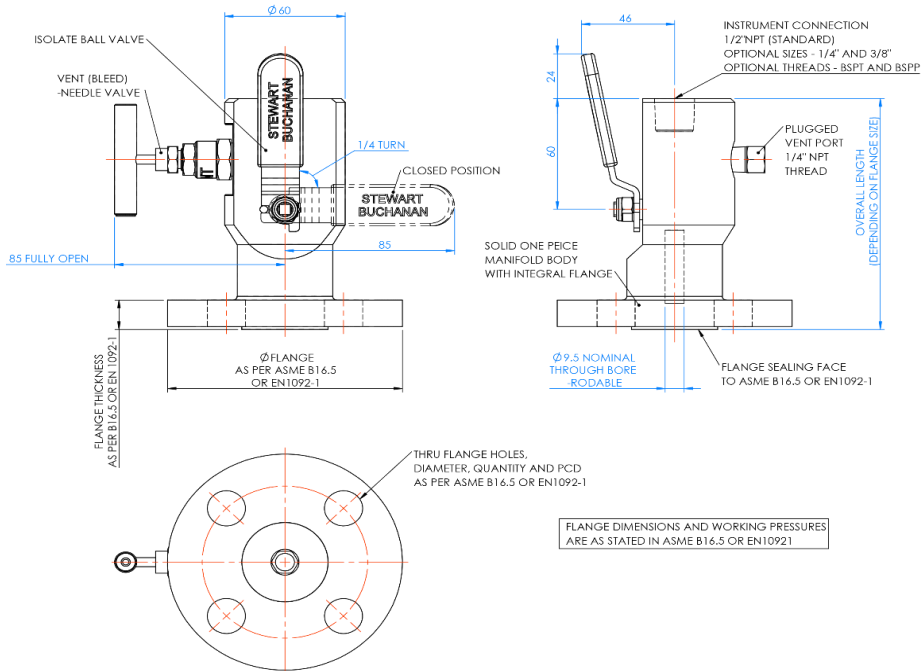


APPLICATION

The BVR flanged single block bleed valves are suitable for gauge or instrument mounting direct to a system via a standard flange take off point. Various flange ratings are available to suit many pressure ratings and sizes within the piping system. Standard applications include static instrumentation, pressure gauges, manometers and pressure switches. With its integral design, considerable cost, weight and space saving is gained over traditional installations, as well as increased safety due to reduced potential leak paths. Manufactured with the primary isolate ball valve, the BVR is fully rodable allowing for efficient cleaning and maintenance.



Fire safe models are available to meet
EEMUA pub. No. 182 – contact SBG sales for details



STEWART BUCHANAN GAUGES LTD

Sales Office & Manufacturing Facility - 7 Garrell Road, Burnside Industrial Estate, Kilsyth, Glasgow G65 9JX, SCOTLAND
Tel: +44 (0)1236 821533 | Fax: +44 (0)1236 824090 | E-mail: sales@stewarts-group.com | Web: stewarts-group.com

DATA SHEET REF: 2034-REV02-24



MODELS - BVR



FLANGED SINGLE BLOCK AND BLEED (SBB) Valves (with Vent Plug)

DIMENSION CHART

FLANGE SIZE (CODE)		Standard Overall Manifold Dimensions in mm (excluding valve handles) TO 2", to l' ± 1mm																								
CLASS (CODE)	TYPE	1/2" (1)					3/4" (2)					1" (3)					1.5" (4)					2" (5)				
		RF		RTJ		FLANGE	RF		RTJ		FLANGE	RF		RTJ		FLANGE	RF		RTJ		FLANGE	RF		RTJ		FLANGE
		STD	Fire safe	STD	Fire safe		STD	Fire safe	STD	Fire safe		STD	Fire safe	STD	Fire safe		STD	Fire safe	STD	Fire safe		STD	Fire safe	STD	Fire safe	
150 (A)		125	125	-	-	89	125	125	-	-	98	125	125	130	130	108	125	125	130	130	127	125	125	130	130	152
300 (B)		125	125	129	129	95	125	125	130	130	118	125	125	130	130	124	125	125	130	130	156	125	125	130	130	165
600 (C)		130	130	129	129	95	130	130	130	130	118	130	130	130	130	124	130	130	130	130	156	130	130	130	130	165
900/1500 (D/E)		130	130	130	130	121	130	130	130	130	130	171	171	171	171	149	171	171	171	171	178	191	191	191	191	216
2500 (F)		171	171	171	171	133	171	171	171	171	140	171	171	171	171	159	191	191	191	191	203	191	191	191	191	235
		DN15 (1)					DN20 (2)					DN25 (3)					DN40 (4)					DN50 (5)				
PN10		125	125	-	-	95	125	125	-	-	105	125	125	-	-	115	125	125	-	-	150	125	125	-	-	165
PN16		125	125	-	-	95	125	125	-	-	105	125	125	-	-	115	125	125	-	-	150	125	125	-	-	165
PN25		125	125	-	-	95	125	125	-	-	105	125	125	-	-	115	125	125	-	-	150	125	125	-	-	165
PN40		125	125	-	-	95	125	125	-	-	105	125	125	-	-	115	125	125	-	-	150	125	125	-	-	165
PN63		125	125	-	-	105	125	125	-	-	130	125	125	-	-	140	125	125	-	-	170	125	125	-	-	180
PN100		125	125	-	-	105	125	125	-	-	130	125	125	-	-	140	125	125	-	-	170	125	125	-	-	195

HOW TO ORDER

BVR FLANGE Part No. Creation				
SAMPLE PART NO.				
BVR-1C-07F-RF-AI-ZE (ADD ZE WHEN ISO15156 / NACE MR0175 IS REQUIRED)				
1	C	07F	RF	AI
INLET SIZE & RATING	OUTLET CODES	FLANGE TYPE	AI = 316 Stainless Steel (UNS S31600)	
1 = 1/2" (DN15)	A = 150 CLASS	03F = 1/4" NPT	RF = RAISED FACE	MO = MONEL® 400 (UNS N04400)
2 = 3/4" (DN20)	B = 300 CLASS	05F = 3/8" NPT	RTJ = RING TYPE	HA = HASTELLOY® C-276 ® (UNS N10276)
3 = 1" (DN25)	C = 600 CLASS	07F = 1/2" NPT		IL = INCONEL® 625 (UNS N06625)
4 = 1.5" (DN40)	D = 900 CLASS	04F = 1/4" BSPP		IN = INCOLOY® 825 (UNS N08825)
5 = 2" (DN50)	E = 1500 CLASS	06F = 3/8" BSPP		TI = TITANIUM Gr.2 (UNS R50400)
6 = 2.5" (DN65)	F = 2500 CLASS	08F = 1/2" BSPP		DU = DUPLEX UNS (UNS S31803)
7 = 3" (DN80)	J = PN10	13F = 1/4" BSPTaper		SD = SUPER DUPLEX (UNS S32760)
8 = 4" (DN100)	K = PN16	14F = 3/8" BSPTaper		HC = HASTELLOY® C-22 (UNS N06022)
	L = PN25	15F = 1/2" BSPTaper		SA = SUPER AUSTENITIC ST.ST 6%Mo (UNS S31254)
	M = PN40	Integral SWIVEMAS®		Note: Other materials available on request.
	N = PN63	Connection to Stewarts		
	P = PN100	Pressure Gauge available		

SEE HOW TO ORDER NEEDLE VALVE & BALL VALVE Data Sheets For Optional Extras

STEWART BUCHANAN GAUGES LTD

Sales Office & Manufacturing Facility - 7 Garrell Road, Burnside Industrial Estate, Kilsyth, Glasgow G65 9JX, SCOTLAND
Tel: +44 (0)1236 821533 | Fax: +44 (0)1236 824090 | E-mail: sales@stewarts-group.com | Web: stewarts-group.com

DATA SHEET REF: 2034-REV02-24

