

MODELS- 741, 742, 743, 852, 853, 961, 962, 963.



Stainless Steel Inert Gas Thermometer

Industrial thermometers manufactured entirely in stainless steel specially designed for heavy duty use and suitable for the food, chemical, pharmaceutical and dairy industries and wherever the use of stainless steel is required.

The inert gas we use (nitrogen) is neither toxic nor a pollutant. These thermometers are safe and give higher technical performance (precision and speed of response) superior to previous mercury based models.

STANDARD SPECIFICATION

Rigid Stem Inert Gas Stainless Steel Thermometer
(Weatherproof Construction to IP66)

Model-852

Temperature element
Inert Gas System

Case
316 Stainless Steel Weatherproof Construction

Bezel
316 Stainless Steel

Dial
White Anodised Aluminium (Black Printing)

Pointer
Black Aluminium

Stem
Stainless Steel (Dia 6,8,10,12,12.7mm) (Length 65mm to 3000mm)

Stem Minimum Lengths Gas filled

Stem Dia ϕ mm	Min Length Under Comp Fitting mm
6	293
8	196
10	85
12	65
12.7	65

Capillary
Plain or Armoured spiral wound Stainless Steel 1 to 33 mtrs

Window
Sheet Glass

Standard Size
63, 100, 150 mm

Accuracy class

Nominal range °C	Measuring range °C	Limits of error °C	
		Class 1	Class 2
-20 to 40	-10 to 30	1	2
-20 to 60	-10 to 50	1	2
-20 to 120	-10 to 110	2	4
-30 to 30	-20 to 20	1	2
-30 to 50	-20 to 40	1	2
-30 to 70	-20 to 60	1	2
-40 to 40	-30 to 30	1	2
-40 to 60	-30 to 50	1	2
-100 to 60	-80 to 40	2	4
0 to 60	10 to 50	1	2
0 to 80	10 to 70	1	2
0 to 100	10 to 90	1	2
0 to 120	10 to 110	2	4
0 to 160	20 to 140	2	4
0 to 200	20 to 180	2	4
0 to 250	30 to 220	2.5	5
0 to 300	30 to 270	5	10
0 to 400	50 to 350	5	10
0 to 500	50 to 220	5	10
0 to 600	100 to 500	10	15
0 to 700	100 to 600	10	15
50 to 650	150 to 550	10	15
100 to 700	200 to 600	10	15

Other accuracies available on request
(Consult our sales team for details)

Scale Range
- 100 up to 650 deg C.

Thermowells See separate data sheet for details.



See Page-2 & 3 for Dimension,

Optional Extras

- Pointer: Slot adjustable Black Finish.
- Window: laminated Safety Glass / Perspex.
- Liquid filled / Suitable for liquid filling
- Nitelitegage® (See data sheet)
- Thermowells: to user specification
- Vibragauge® (See data sheet)
- Other stem diameters available: On request

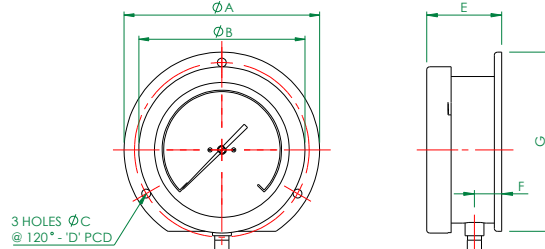
Ordering Parameters, Please state the following: SIZE, MODEL NO, SCALE RANGE, CONNECTION, & OPTIONAL EXTRAS

MODELS - 741, 742, 743, 852, 853, 961, 962, 963.

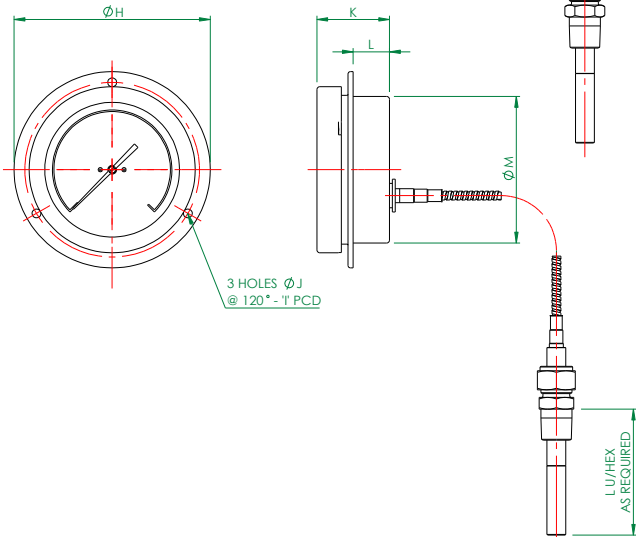
Stainless Steel Inert Gas Thermometer



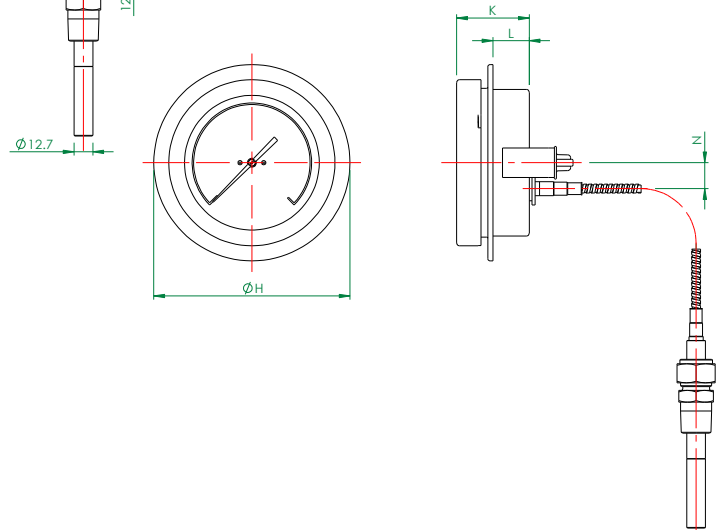
MODEL - 741



MODEL - 742



MODEL - 743



General Arrangement Dimensions in mm, tol' ± 1 mm

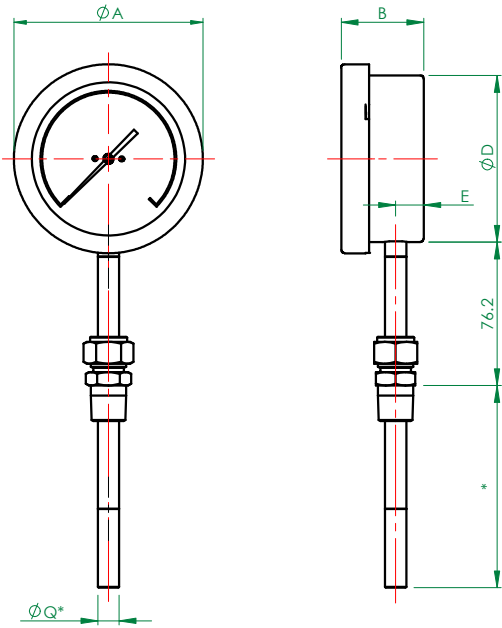
Dim	A	B	C	D	E	F	G	H	I	J	K	L	M	N	PANEL CUT-OUT
Dial ϕ															
2.5" (63mm)	85	68.5	3.5	75	39	15	78.5	85	75	3.5	37	21.5	62	18.5	66
4" (100mm)	132	112	6	118	50.5	19	121	132	118	6	48.5	24.5	99	17.5	106
6" (150mm)	185	162	5	168	50.5	19.5	174	185	168	5	48.5	24.5	148	17.5	153

MODELS- 741, 742, 743, 852, 853, 961, 962, 963.

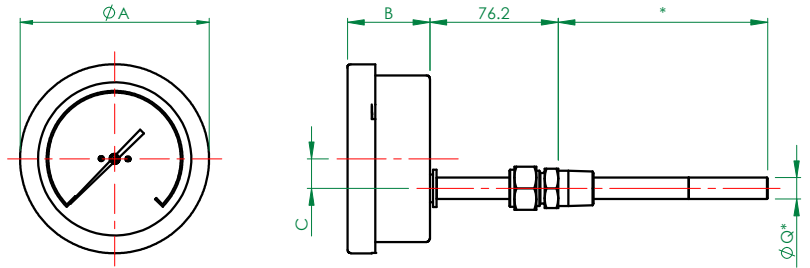
Stainless Steel Inert Gas Thermometer



MODEL - 852



MODEL - 853



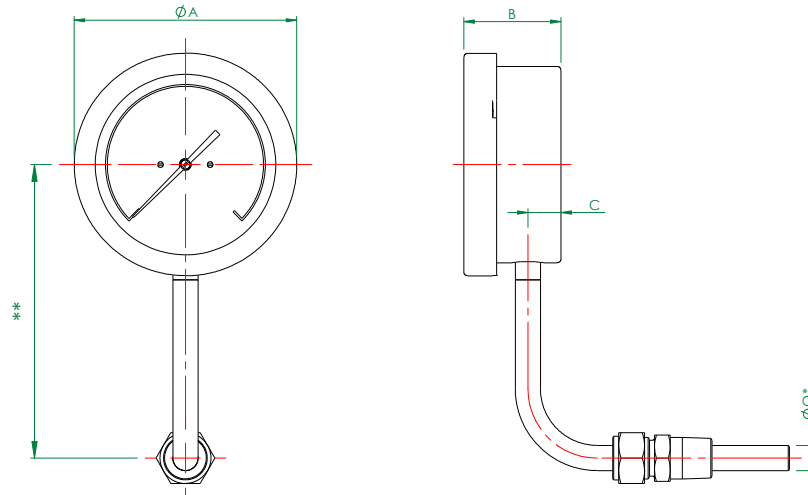
General Arrangement Dimensions in mm, tol' ± 1mm															
Dim	A	B	C	D	E	F	G	H	I	J	K	L	M	N	PANEL CUT-OUT
2.5" (63mm)	85	68.5	3.5	75	39	15	78.5	85	75	3.5	37	21.5	62	18.5	66
4" (100mm)	132	112	6	118	50.5	19	121	132	118	6	48.5	24.5	99	17.5	106
6" (150mm)	185	162	5	168	50.5	19.5	174	185	168	5	48.5	24.5	148	17.5	153

MODELS- 741, 742, 743, 852, 853, 961, 962, 963.

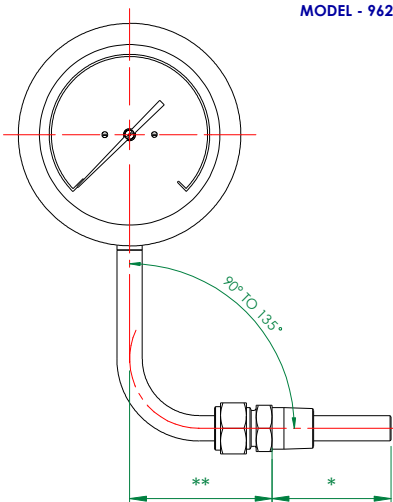
Stainless Steel Inert Gas Thermometer



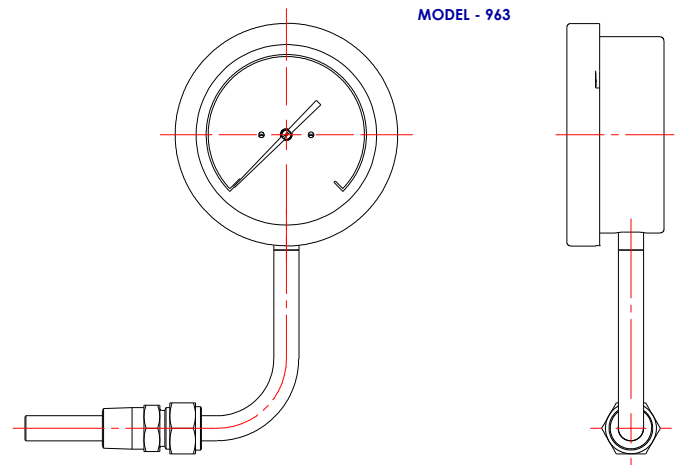
MODEL - 961



MODEL - 962



MODEL - 963



General Arrangement Dimensions in mm, tol' ± 1 mm				
Dim	A	B	C	D
Dial ϕ				
2.5" (63mm)	68.5	37	18.5	62
4" (100mm)	112	48.5	17.5	99
6" (150mm)	162	48.5	17.5	148

* SPECIFIED BY CUSTOMER

** DEPENDANT ON TUBE DIA (May have Mitre Bend)

STEWART-BUCHANAN GAUGES LTD

Sales Office & Manufacturing Facility - 7 Garrell Road, Burnside Industrial Estate, Kilsyth, Glasgow G65 9JX, SCOTLAND
 Tel: +44 (0)1236 821533 | Fax: +44 (0)1236 824090 | E-mail: sales@stewarts-group.com | Web: stewarts-group.com

