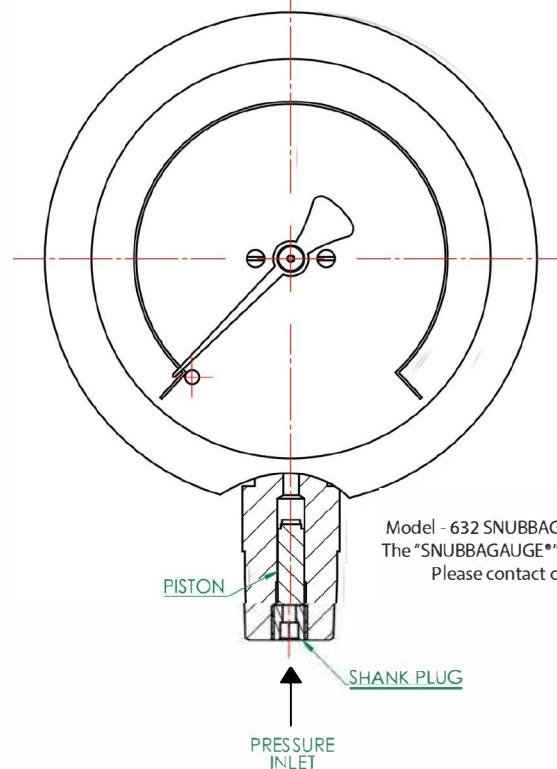
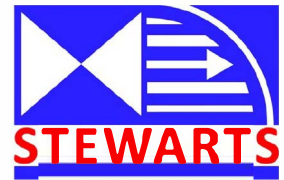


MODELS-SNUBBAGAUGE®

The Pressure Gauge For Shock and Surge Problems



Model - 632 SNUBBAGAUGE® (100mm, 4" Direct Mounted (Standard))
The "SNUBBAGAUGE®" is available in all our applicable configurations,
Please contact our sales advisors for technical assistance.

SNUBBAGAUGE® is a registered trade mark of Stewart-Buchanan Gauges Ltd

A special machined piston which has been installed in the socket of the pressure gauge gives perfect resistance to shocks and surges. It does not interfere with the safety features of the instrument.

In combination with the VIBRAGAUGE® the gauge will give excellent performance where, vibrations, shocks, and surges would normally shorten the life of a pressure gauge.

SNUBBAGAUGE® has undergone rigorous testing.

The Snubbagaugge is available as follows,
1000 bar MAX for ½" Threads
700 bar MAX for ¼" Threads

Gauges are supplied with 4 different pistons marked (01,02,03,04,) each having different diameters, to ensure desirable elasticity. These are intended for use in the following applications;

- 01-Light gases
- 02-Air / Steam
- 03-Water
- 04-Light Oil

Changing pistons to secure the best results is a simple matter. This is formulated by the removal and replacement of the shank plug.

It should be noted that the piston size will depend on the operating temperature and actual medium being used. Therefore the above is intended as a guide only.

As a standard the gauge will be fitted with piston type 02.

Note:-To remove the piston.

For taper thread connections :Turn shank plug anti-clockwise.

For parallel thread connections :Turn shank plug clockwise

When refitting or changing the piston apply thread lock to shank plug threads (e.g Knipping VC*3) **The Piston is fitted with Slot inwards & Number facing outwards.**

STEWART-BUCHANAN GAUGES LTD

Sales Office & Manufacturing Facility - 7 Garrell Road, Burnside Industrial Estate, Kilsyth, Glasgow G65 9JX, SCOTLAND Tel: +44 (0)1236 821533 | Fax: +44 (0)1236 824090 | E-mail: sales@stewarts-group.com | Web: stewarts-group.com

DATA SHEET REF: SNUBBA REV03-25

Specifications and dimensions in this leaflet, are subject to change without prior notice.

