

MODEL- 2034 Series



HYGIENIC Diaphragm Seal Gauge

APPLICATIONS

2034 Series gauges are suitable for use in the Food Process, Biotechnology, and Pharmaceutical Industry applications.

STANDARD SPECIFICATION

Sizes

2.5" (63mm), 4", (100 mm), 6" (150mm).

Case/ Bezel

316 Stainless Steel (Weatherproof Construction to IP66).

Socket & Bourdon Tube

316 Stainless Steel

Movement

Stainless Steel Construction.

Dial

White Anodised Aluminium (Black Printing)

Pointer

Black Aluminium

Window

Laminated Safety Glass (Options Available).

Diaphragm

316 (L) Stainless Steel

Surface Finish Ra ≤ 0.38 µm per ASME BPE SF4 (except for weld seam)

Traceability

All instruments are individually calibrated and have a unique Serial Number.

Safety

All units are manufactured to comply with EN 837-1, S1 (or S3 option). specification and other regulatory standards including PED 2014/68/EU.

Accuracy Class

+ 1%

Scale Range

Vacuum to 10 bar (If you require a higher range, please get in touch).

Special Features

- Designed to prevent measurement errors caused by high and fluctuating temperatures.
- Diaphragm protected against rupture with backup convolutions.
- Helium leak tested to ensure integrity of diaphragm.
- Quick Cleaning, without residue.
- Suitable for CIP and SIP processes. (Options Available).

MODEL 2034 – Hygienic Tri-Clamp Fitting (BS4825)



Optional Extras

- Micro adjustable pointer /Black finish.
- Customer logo printed on dial.
- Liquid filled / Suitable for liquid filling.
- Vibragauge® (See data sheet).

Further options on request
See Page-2 for Dimension

Application	Fill Fluid	Temperature Range
Vacuum	Silicone D.C. 704	0°C to 250°C
Standard	Silicone 200/100	-40°C to 200°C
Low Temp	Flourinert F.C 77	-100°C to 90°C
High Temp	Silicone D.C 550	-40°C to 315°C
Oxygen	Galden D05	-40°C to 140°C

FOOD IND.		
FDA Vacuum	Neobee M20	-20°C to 150°C
	Medicinal Paraffin	-20°C to 150°C
	Vegetable (Rape Seed) Oil	0°C to 100°C
	Pure Glycerine	0°C to 120°C
Other fill fluids available		

STEWARTS can provide you with the right product to suit any individual application or requirement.

Specifications and dimensions in this leaflet can be subject to change.

Ordering Parameters, please state the following: SIZE, MODEL NO, SCALE RANGE, CONNECTION, PRESSURE MEDIUM & OPTIONAL EXTRA

STEWART BUCHANAN GAUGES LTD

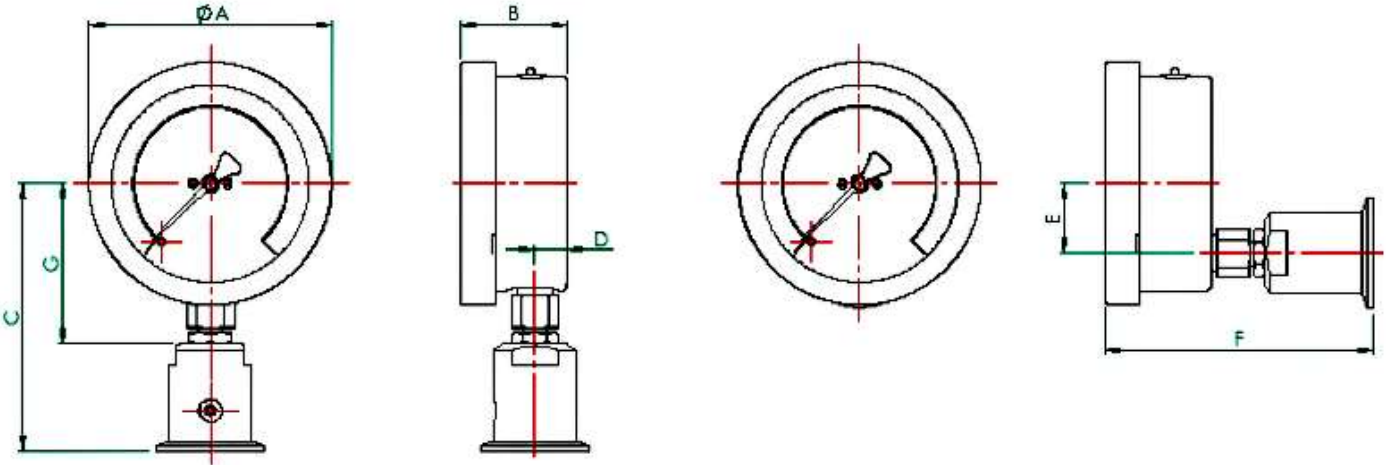
Sales Office & Manufacturing Facility - 7 Garrell Road, Burnside Industrial Estate, Kilsyth, Glasgow G65 9JX, SCOTLAND
Tel: +44 (0)1236 821533 | Fax: +44 (0)1236 824090 | E-mail: sales@stewarts-group.com | Web: stewarts-group.com

DATA SHEET REF: 2034-REV02-24



MODELS- 2034 Series

HYGIENIC Diaphragm Seal Gauge



MODEL 2034
DIRECT MOUNTED (STANDARD)

MODEL 2034-BC
DIRECT MOUNTED - REAR CONNECT

General Arrangement Dimensions in mm, tol' ± 1 mm

Dim	A	B	C	D	E	F	G
Dial \varnothing							
2.5" (63mm)	68.4	31.5	98.6	9.5	18	101.3	48.6
4" (100mm)	112.2	48	123.7	14.5	32	123.7	73.7
6" (150mm)	161.7	49.5	148.9	15.2	32	124.2	98.9

STEWART BUCHANAN GAUGES LTD

Sales Office & Manufacturing Facility - 7 Garrell Road, Burnside Industrial Estate, Kilsyth, Glasgow G65 9JX, SCOTLAND
Tel: +44 (0)1236 821533 | Fax: +44 (0)1236 824090 | E-mail: sales@stewarts-group.com | Web: stewarts-group.com

DATA SHEET REF: 2034-REV02-24

