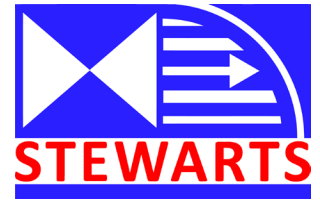


PISTON SNUBBER



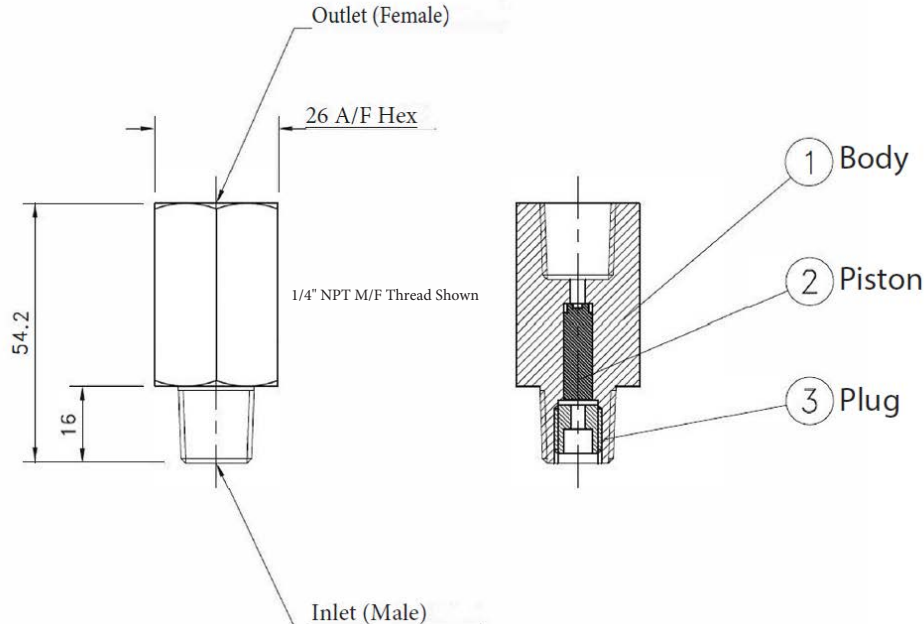
Standard Rating = 6000 psi (414 bar)

APPLICATIONS

Snubbers for pressure measuring instruments are intended to suppress the effect of pressure surges and pressure pulses of the medium Suitable for use with pressure gauges, pressure switches and pressure transmitters etc in the Process industry: Machine building, general plant construction, chemical/petrochemical, power plants,

Features

- Hydrostatically tested to 1.5 times maximum working pressure.
- Has trace code on body with material certificates available for all wetted parts on request.
- Various end connections available-NPT-BSP-BSPT-etc.
- Can be supplied to NACE MR-01-75-Latest edition.



Inlet & Outlet
M = Male F = Female Thread
02M or F = G $\frac{1}{8}$ B or G $\frac{1}{8}$ (BSPP)
03M or F = $\frac{1}{4}$ " NPT
04M or F = G $\frac{1}{4}$ B or G $\frac{1}{4}$ (BSPP)
05M or F = $\frac{3}{8}$ " NPT
06M or F = G $\frac{3}{8}$ B or G $\frac{3}{8}$ (BSPP)
07M or F = $\frac{1}{2}$ " NPT
08M or F = G $\frac{1}{2}$ B or G $\frac{1}{2}$ (BSPP)
13M or F = R $\frac{1}{4}$ or Rc $\frac{1}{4}$ (BSPT)
14M or F = R $\frac{3}{8}$ or Rc $\frac{3}{8}$ (BSPT)
15M or F = R $\frac{1}{2}$ or Rc $\frac{1}{2}$ (BSPT)
Other sizes available on request
Key
GxB = Parallel Male Class-B ISO228-1
G = Parallel Female ISO228-1
R = Taper Male BS21
Rc = Taper Female BS21
NPT = Taper ANSI/ASME B1.20.1

Material
AI = 316L Stainless Steel (UNS S31600 / S31603)
MO = MONEL [®] 400 (UNS N04400)
Other materials avail on request

Units are supplied with 4 different pistons marked (01,02,03,04,) each having different diameters, to ensure desirable elasticity.

These are intended for use in the following applications;

- 01-Light gases
- 02-Air / Steam
- 03-Water
- 04-Light Oil

Changing pistons to secure the best results is a simple matter. This is formulated by the removal and replacement of the plug.

It should be noted that the piston size will depend on the operating temperature and actual medium being used.

Therefore the above is intended as a guide only.

As a standard the unit will be fitted with piston type 02.

Note:-To remove the piston.

For taper thread connections : Turn plug anti-clockwise.

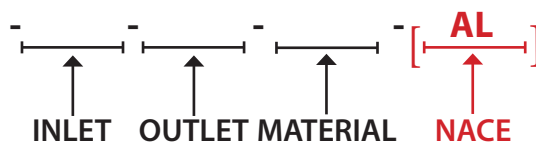
For parallel thread connections : Turn plug clockwise

When refitting or changing the piston apply thread lock to plug threads (e.g Knipping VC[®]3)

The Piston is fitted with Slot inwards & Number facing outwards.

HOW TO ORDER

PART NO PS



STEWART-BUCHANAN GAUGES LTD

Sales Office & Manufacturing Facility - 7 Garrell Road, Burnside Industrial Estate, Kilsyth, Glasgow G65 9JX, SCOTLAND
Tel: +44 (0)1236 821533 | Fax: +44 (0)1236 824090 | E-mail: sales@stewarts-group.com | Web: stewarts-group.com

DATA SHEET REF: PistonSnubber-REV02-25

