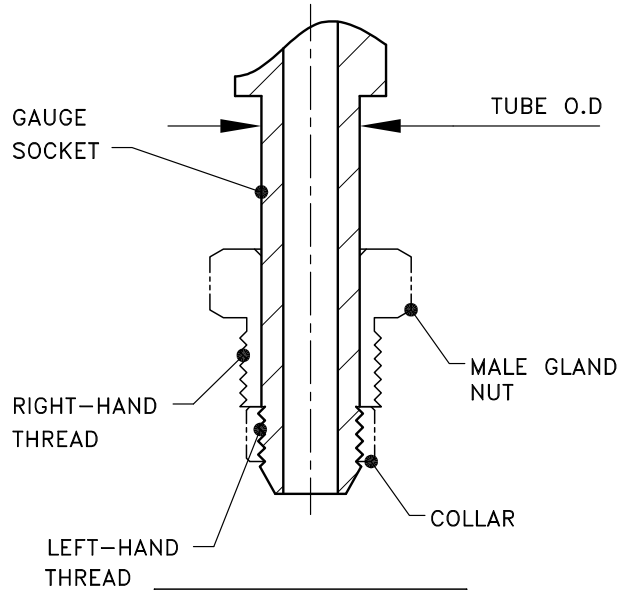


High Pressure Connections

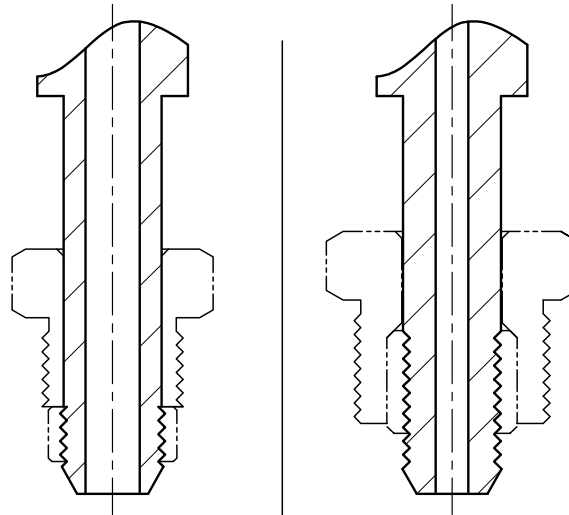
2.5" GAUGE (MALE THREAD ONLY)



COMPLETED MEDIUM PRESSURE CONNECTION

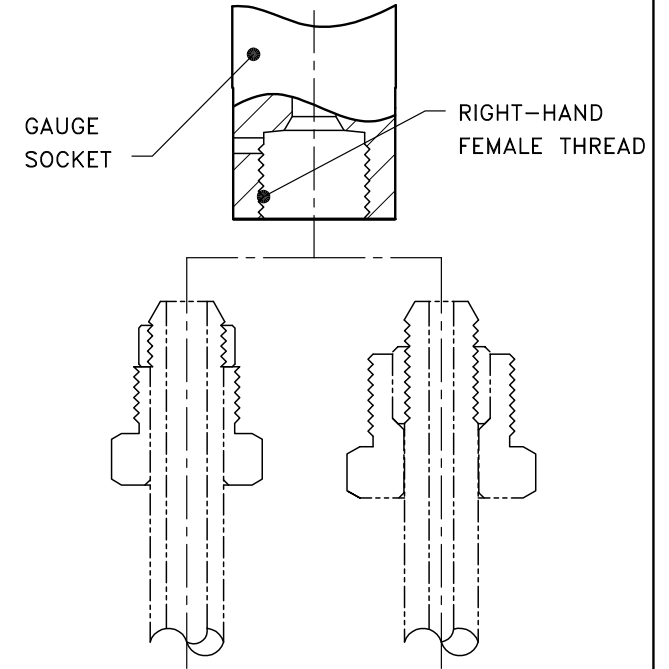
1/4" & 3/8" MALE CONNECTIONS ONLY
(HP LIMITED TO A MAXIMUM RANGE OF 20,000 PSI)

4" AND 6" GAUGE



COMPLETED MEDIUM PRESSURE CONNECTION

COMPLETED HIGH PRESSURE CONNECTION



WITH MALE CONNECTIONS ON GAUGE; GLAND AND COLLAR ARE NOT NORMALLY SUPPLIED

DRG. No
798894

MEDIUM PRESSURE
20,000 PSI MAXIMUM

HIGH PRESSURE
60,000 PSI MAXIMUM

CONNECTION TYPE	TUBE O.D	GAUGE SOCKET AND COLLAR THREAD	FEMALE THREAD OR MALE GLAND NUT SIZE
1/4" MP	1/4"	1/4"-28 UNF LEFT-HAND	7/16"-20 UNF
3/8" MP	3/8"	3/8"-24 UNF LEFT-HAND	9/16"-18 UNF
9/16" MP	9/16"	9/16"-18 UNF LEFT-HAND	13/16"-16 UNF FEMALE NOT AVAILABLE AS A GAUGE SOCKET
1/4" HP	1/4"	1/4"-28 UNF LEFT-HAND	9/16"-18 UNF
3/8" HP	3/8"	3/8"-24 UNF LEFT-HAND	3/4"-16 UNF FEMALE NOT AVAILABLE AS A GAUGE SOCKET
9/16" HP	9/16"	9/16"-18 UNF LEFT-HAND	1 1/8"-12 UNF FEMALE NOT AVAILABLE AS A GAUGE SOCKET