

# MODELS-1041/S, 1042/S, 1043/S, 1044/S



## All stainless steel construction Receiver Pressure Gauges

### APPLICATIONS

Stewart Receiver Gauges are specifically designed for use with pneumatic transmission and process variables and compatible with a wide variety of transmitters capable of converting properties like flow, temperature, differential pressure, and level into a proportional air pressure signal. Receiver gauges are available in standard transmitter-output air pressure ranges of 3-15 psi or 0.2-1bar.

### STANDARD SPECIFICATION

Petro-Chemical Gauge with Blow-out Device (Weatherproof Construction to IP66)

#### Sizes

63, 100 and 150 mm

#### Case/ Bezel

316 Stainless Steel

#### Socket & Element

316 Stainless Steel

#### Movement

Stainless Steel Construction

#### Blowout Protection

Blow-out plug at the top of the case

#### Dial

White Anodised Aluminium (Black Printing)

#### Pointer

Black Aluminium

#### Window

Sheet Glass

#### Traceability

All instruments are individually calibrated and have an unique Serial Number.

#### Certification available on request

- Certificate of Conformity Traceable to National Standards
- Group Certification (Pressure Test Calibration Statement)
- Point to Point Test Certificate
- BS EN 10204 3.1 Material Certification

#### Safety

All units are manufactured to comply with EN 837-1, S1 Blowout device specification and other regulatory standards including PED 2014/68/EU.

#### Installation instructions

Refer to EN 837-2 and our [Guidance On Use of Equipment](#) data sheet.

#### Accuracy class

0.5% or 1% Full Scale

#### Scale Range

3-15 psi or 0.2-1bar

Dial can be marked with Logarithmic or Linear Scale

#### Pressure Connection Thread

1/8", 1/4", 3/8", 1/2" NPT, BSPP, BSPT,

Model-1042/S Direct Mount Standard



Model-1041/S Surface Mounted (Bottom Connection)  
Model-1042/S Direct Mounted (Bottom Connection)  
Model-1043/S Flush Mounted Screw Fixing (Rear Connection)  
Model-1044/S Flush Mounted Clamp Fixing (Rear Connection)  
[See Page-2 for dimension](#)

#### Operating Temperature Range EN837

-20° to 60°C (-4°F to 140°F)

[Options for lower/higher operating ranges \(Contact Sales\)](#)

#### Temperature Error

Additional error when temperature changes from reference  
Temperature of 20°C (68°F) ±0.4% for every 10°C (18°F) rising or Falling % of span

#### Optional Extras

- Micro adjustable pointer /Black finish
- Optional dial materials & Custom markings
- Monel according to ISO 15156 / NACE MR-01-75 wetted parts
- Laminated safety glass / Perspex window
- Orifice Restrictor Screw (standard Ø0.9mm, Ø0.4mm on request)
- Customer logo printed on dial
- Nitelitegage® (See data sheet)
- Gauge over-pressure up to 130% of FSD

[Further options on request](#)

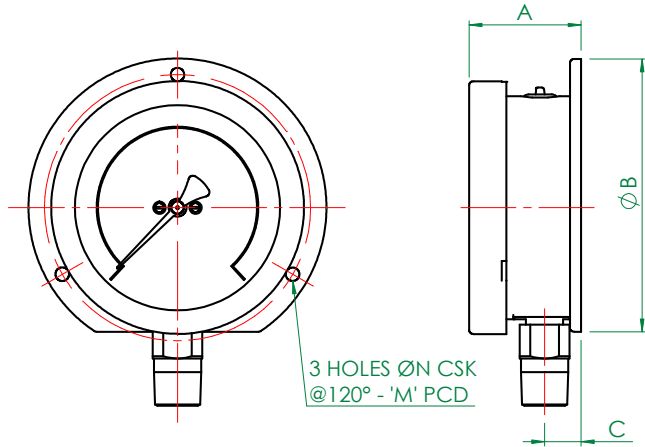
#### Available with a wide range of accessories

Syphons, Snubbers, Overrange gauge protectors, Valves, Manifolds, Diaphragm seals, Swivel adaptors, etc ensures that STEWARTS can provide you with the right product to suit any individual application or requirement.

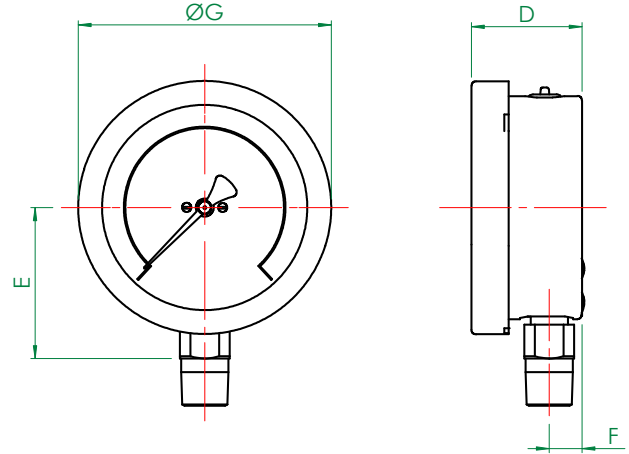
**Ordering Parameters, Please state the following:** SIZE, MODEL NO, SCALE RANGE, CONNECTION, PRESSURE MEDIUM & OPTIONAL EXTRAS

# MODELS-1041/S, 1042/S, 1043/S, 1044/S

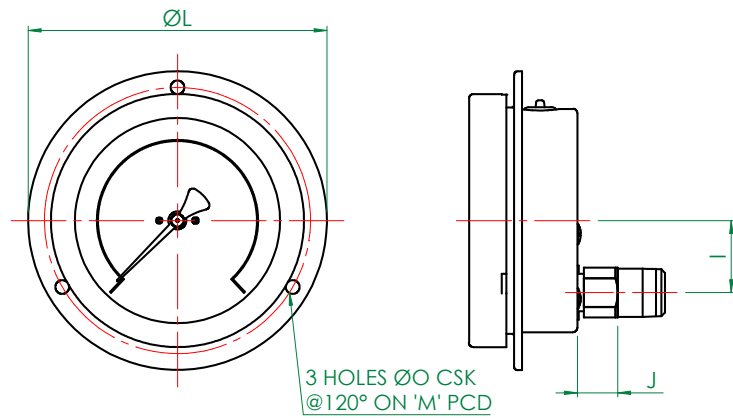
All stainless steel construction Receiver Pressure Gauges



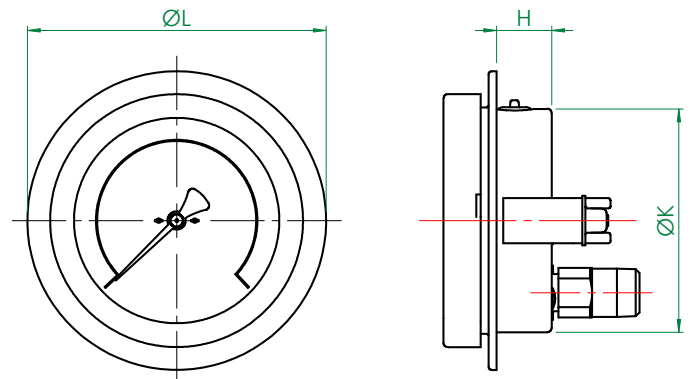
**MODEL 1041/S**  
**SURFACE MOUNTED**



**MODEL 1042/S**  
**DIRECT MOUNTED (STANDARD)**



**MODEL 1043/S**  
**FLUSH MOUNTED SCREW FIXING**



**MODEL 1044/S**  
**FLUSH MOUNTED CLAMP FIXING**

General Arrangement Dimensions in mm, tol' ± 1mm

Dim	A	B	C	D	E	F	G	H	I	J	K	L	M	N	O	PANEL CUT OUT
Dial Ø																
2.5" (63mm)	39	78.5	12.5	31	42	9.5	68.5	21.5	18	10	62	85	75	3.5	3.8	66
4" (100mm)	50	121	16	49	67	15	112	24.5	32	18	99	132	118	6	6	106
6" (150mm)	50	174	16	49	93	15	162	24.5	32	18	148	185	168	5.8	5.8	153

## STEWART-BUCHANAN GAUGES LTD

Sales Office & Manufacturing Facility - 7 Garrel Road, Burnside Industrial Estate, Kilsyth, Glasgow G65 9JX, SCOTLAND  
Tel: +44 (0)1236 821533 | Fax: +44 (0)1236 824090 | E-mail: sales@stewarts-group.com | Web: stewarts-group.com

DATA SHEET REF: 63-REV01-14

