

Models-1121,1122,1122BC,1123 Stainless Steel Case & Stainless Steel Internals

Case

AISI 304 Stainless Steel
Solid front between bourdon tube and dial.
Bezel Stainless Steel (Bayonet type)
Weatherproof Construction

Socket + Element

AISI 316 Stainless Steel

Thread

1/8", 1/4", 3/8", 1/2" NPT, BSP, BSPT

Movement

Stainless Steel

Dial

White Aluminium (Black Printing)

Pointer

Black Aluminium

Window

Laminated Safety Glass

Standard Size

63, 100, 150mm

Accuracy class

+/-1%

Scale Range

Vacuum to 1,400 bar (20,000 psi) (63mm gauge)
Vacuum to 2,500 bar (36,000 psi) (100 & 150mm gauges)

Ordering information

State:- Pressure gauge model
/ Nominal size / Scale range
/ Size and location of connection
/ Optional extras reqd.



Model - 1122

Optional extras

AISI 316 Stainless steel case.
White plastic dial (Black Printing).
Micro adjustable pointer / Black Finish.
Other pressure connections (including high pressure).
Monel to Nace MR-01-75 wetted parts.
Perspex window.
Customer logo.
Liquid filling.
Vibragauge®
Snubbagauge®

Further options: on request

Gas and Steam in excess of 25 Bar pressure can represent danger if there is a rupture in the Bourdon Tube measuring this gas. To minimize the danger, gauges in this application should be Safety Pattern type, having solid front between Bourdon tube and dial, safety window and blow-out back to allow any blast to release to the rear of gauge.

Although there is not necessarily any great risk in the use of gauges for gases at pressure less than 25 Bar, a blow-out disc should be incorporated and the purchaser should have regard to the nature of the gas and the installation conditions and, if necessary, order a gauge of the Safety Pattern type.

Surface mounted gauges should be fitted with distance pieces of not less than 3/4" (20mm) long to allow them to be mounted away from wall or panel.

Models-1121,1122,1122BC,1123
Stainless Steel Case & Stainless Steel Internals

Surface Mounted
Model - 1121

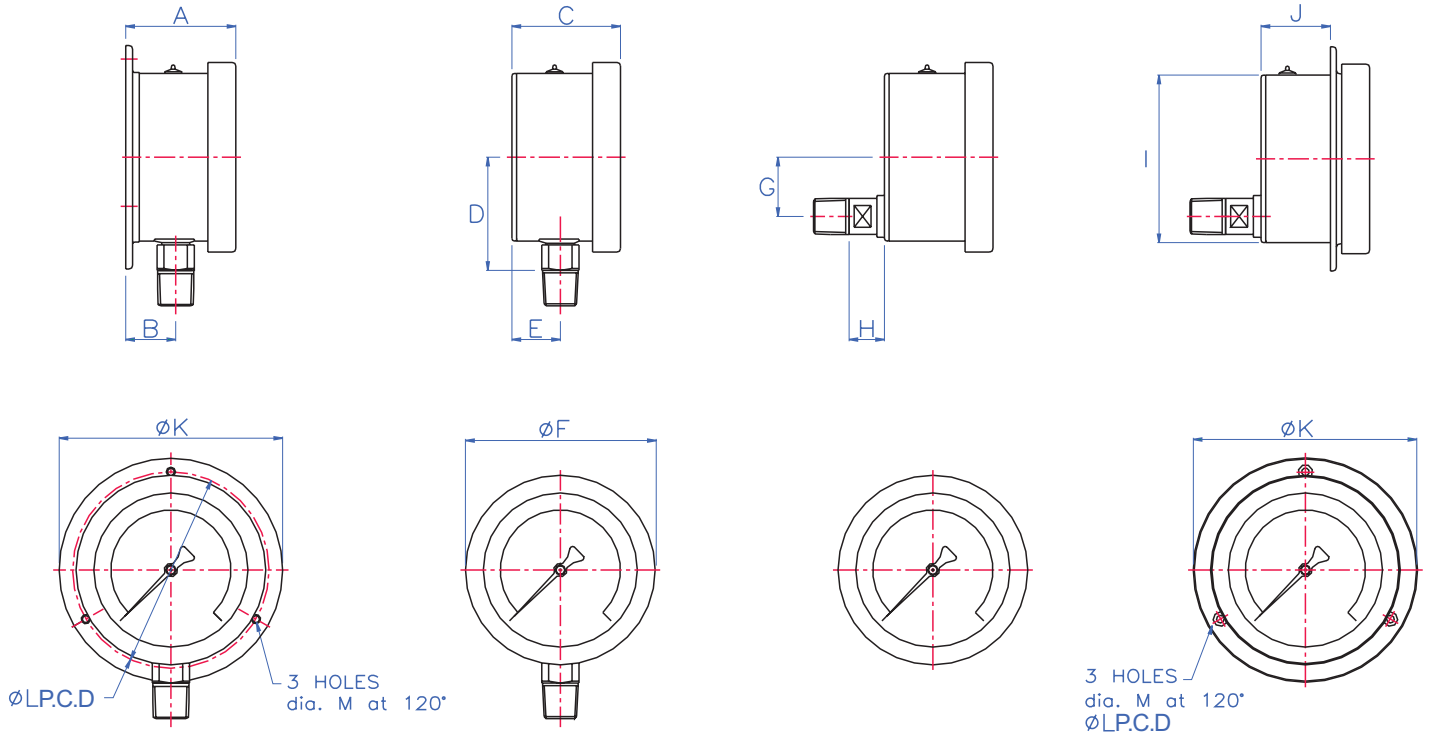
Direct Mounted
(Standard)
Model - 1122

Direct Mounted
Model - 1122BC

Flush Mounted
Screw Fixing
Model - 1123

Bottom connect

Rear connect



Dimensions Diameter mm	A	B	C	D	E	F	G	H	I	J	K	L	M	Panel Cut-out
63	43	20.5	42	42	19.5	63.5	18	12	62	19	85	75	3.6	66
100	66	30	65	67	29	112	34	21	99	41	132.5	118	6	106
150	66	30	65	92	29	162	34	21	148	41	186	168	5.8	155

We manufacture a wide range of instruments to customer's special requirements
We shall be pleased to discuss and advise on your specifications.

Specifications and dimensions given in this leaflet represent the state of engineering at the time of printing.
Engineering modifications may take place without prior notice.