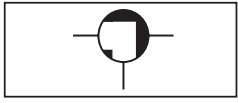


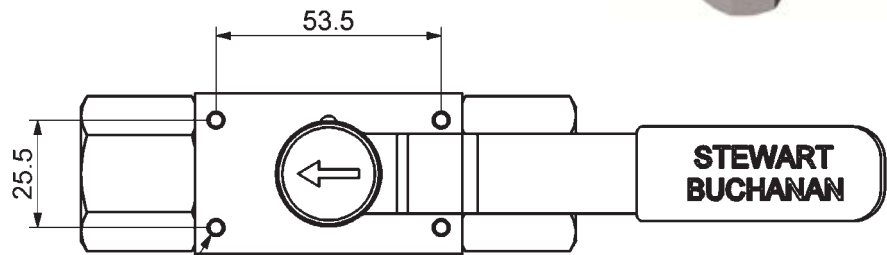
MODEL-BVJ1
Three Way Single Valve Bottom Entry Switching.
180 Deg Operation.
Rated 400 BAR / 6000 PSI



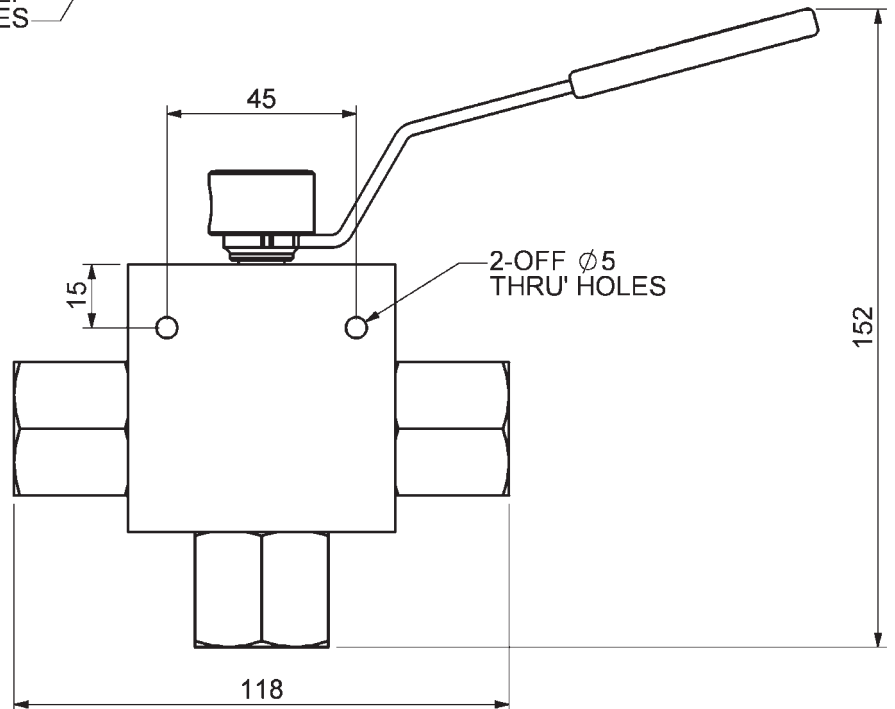
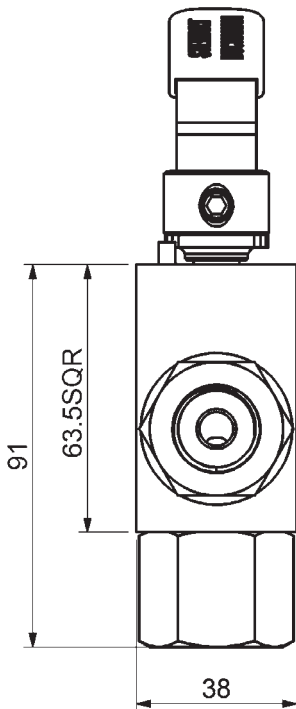
SWITCHING



Circuit Diagram



4-OFF M4x0.7P
x 10 DEEP
TAPPED HOLES



2-OFF $\phi 5$
THRU' HOLES

STEWART-BUCHANAN GAUGES LTD
Sales Office & Manufacturing Facility.
Burnside Industrial Estate, Kilsyth, Glasgow, G65 9JX, SCOTLAND
Tel:- +44 (0)1236 821533
Fax:- +44 (0)1236 824090
E-Mail:- sales@stewarts-group.com
Web Site:- www.stewarts-group.com