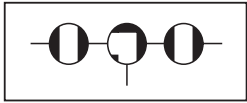


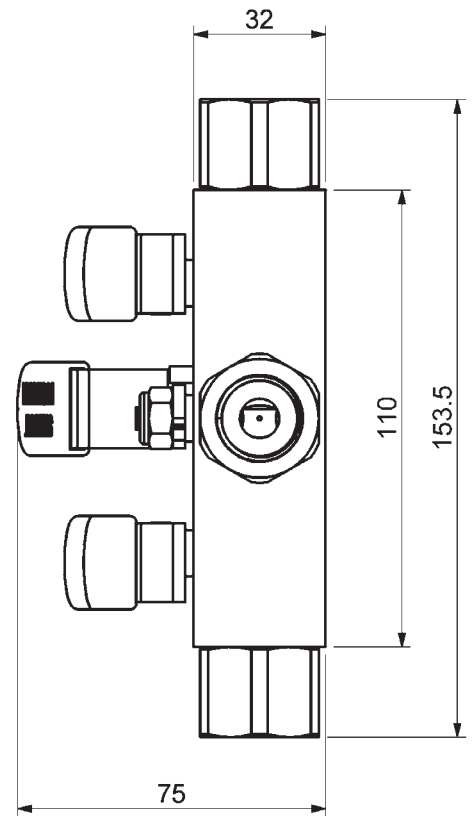
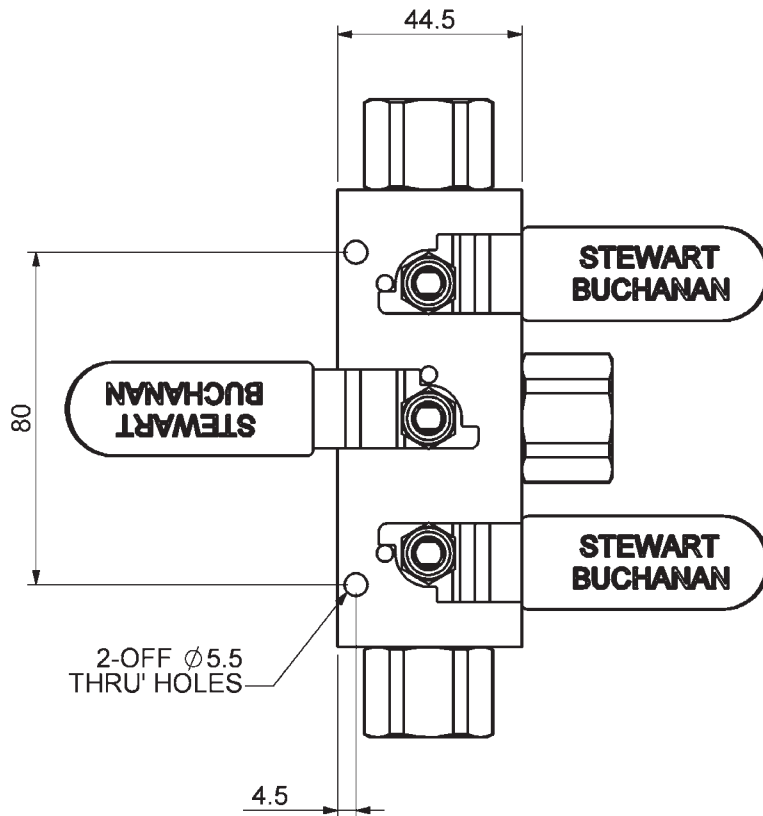
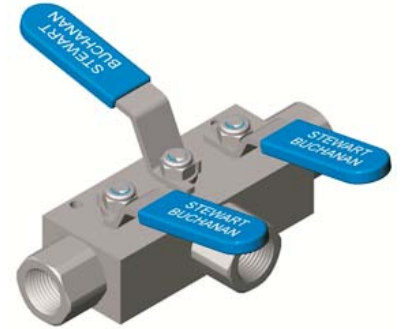
MODEL-BVF3
Double Block and Bleed Valve Manifold 'L' Ported.
Rated 400 BAR / 6000 PSI



BLOCK AND BLEED



Circuit Diagram



STEWART-BUCHANAN GAUGES LTD
Sales Office & Manufacturing Facility.
Burnside Industrial Estate, Kilsyth, Glasgow, G65 9JX, SCOTLAND
Tel:- +44 (0)1236 821533
Fax:- +44 (0)1236 824090
E-Mail:- sales@stewarts-group.com
Web Site:- www.stewarts-group.com