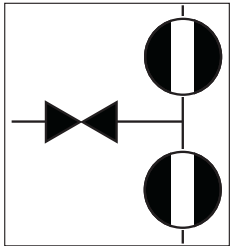


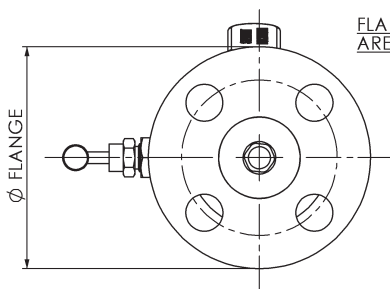
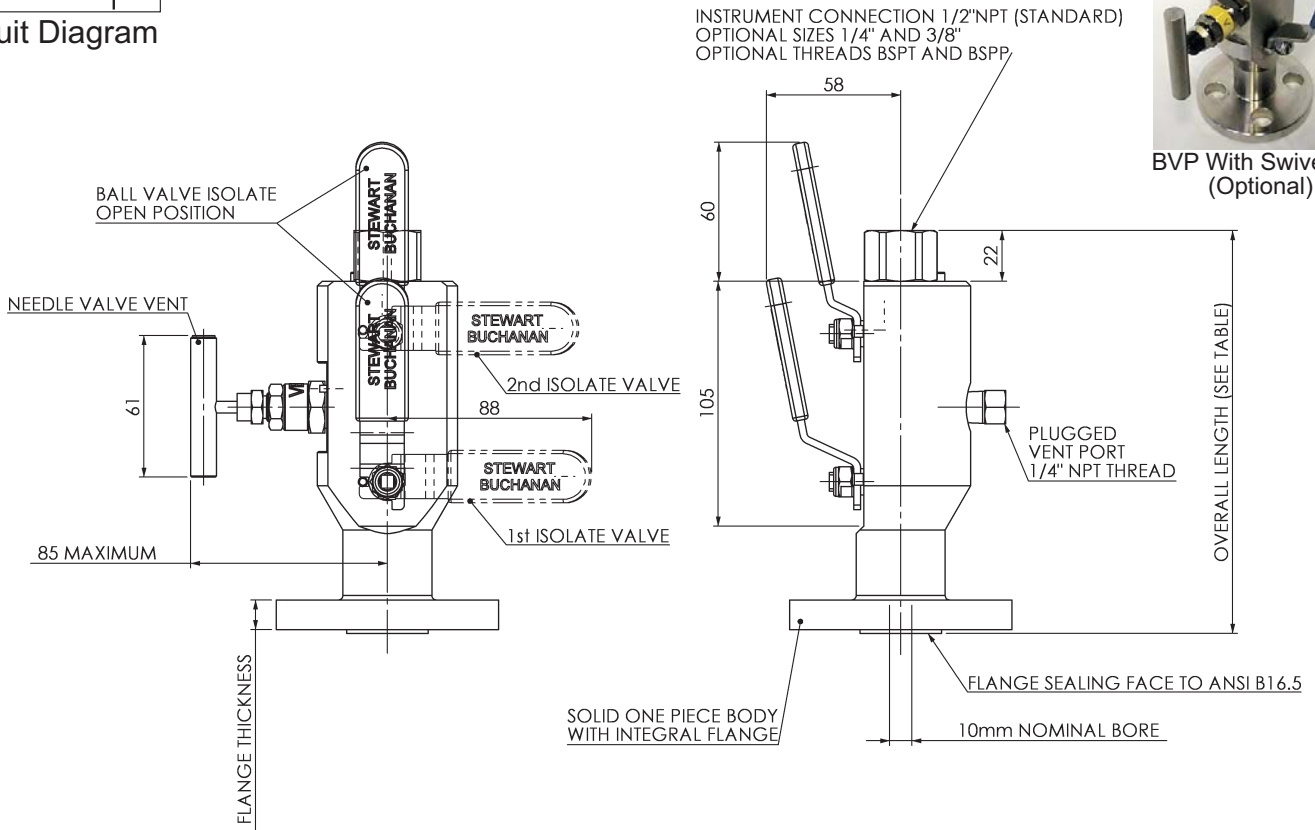
Model - BVP
Flanged Double Block and Bleed Valve (Ball, Needle, Ball)
Rated 400 BAR 6000 PSI



Circuit Diagram



BVP With Swivemas (Optional)



FLANGE DIMENSIONS AND WORKING PRESSURES ARE AS STATED IN ANSI B16.5

CLASS	OVERALL LENGTH PER FLANGE SIZE					
	1/2"	3/4"	1"	1.5"	2"	
RF	173	173	173	173	173	
150	173	173	173	173	173	
300	173	173	173	173	173	
600	173	173	173	180	180	
1500	180	180	193	193	-	
2500	193	193	193	-	-	