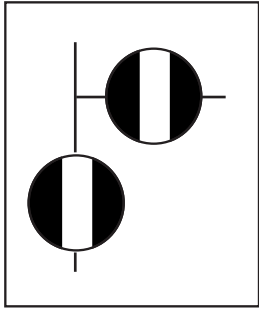
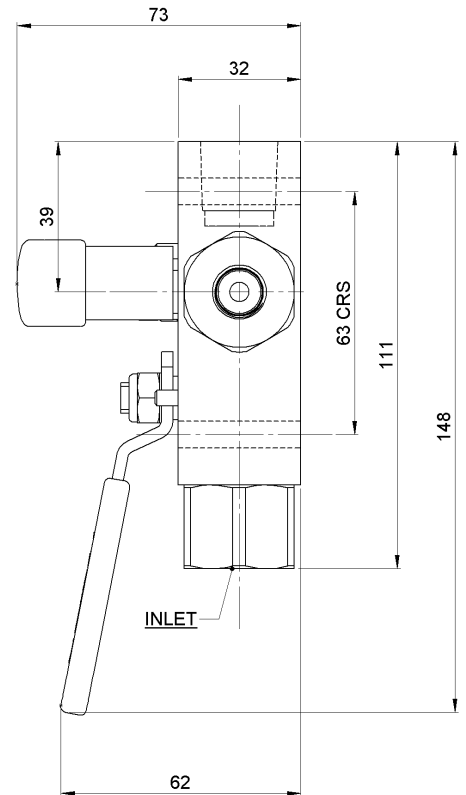
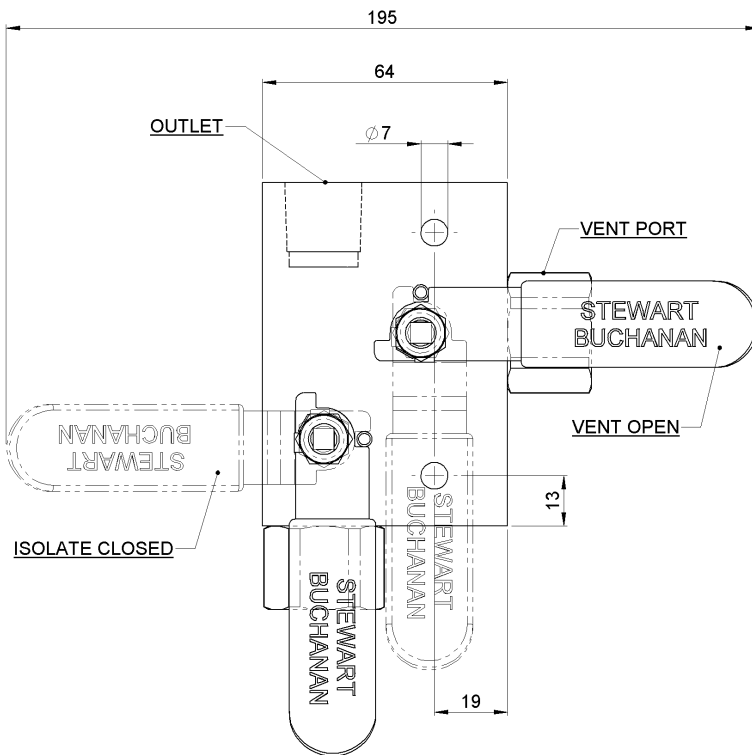


**Model number - BVL**  
**Remote Mount Pipe to Pipe**  
**Block and Bleed Valve**  
**Rated 400 BAR 6000 PSI**



Circuit Diagram



DIMENSIONS SHOWN ARE TYPICAL FOR INSTRUMENTS 1/2" BSP/BSPT/NPT RATED 6000 PSI