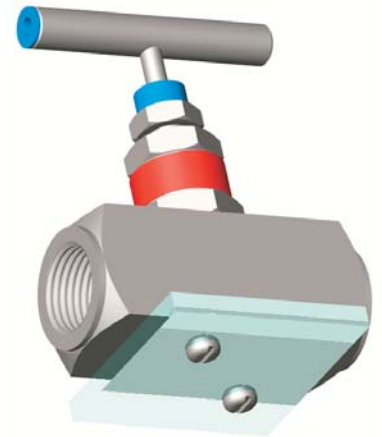
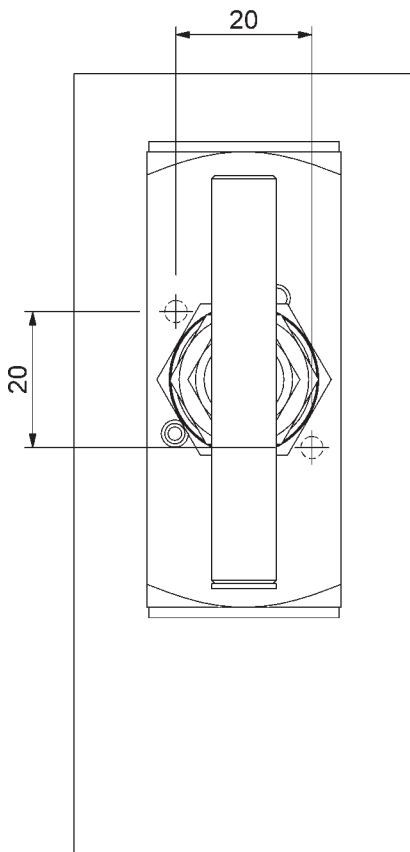


SUFFIX-AF
Surface Mount with Tapped Holes



MOUNTING CENTRES



2 OFF M4 x 6 DEEP
TAPPED HOLES ARE DRILLED IN VALVE BODY

