

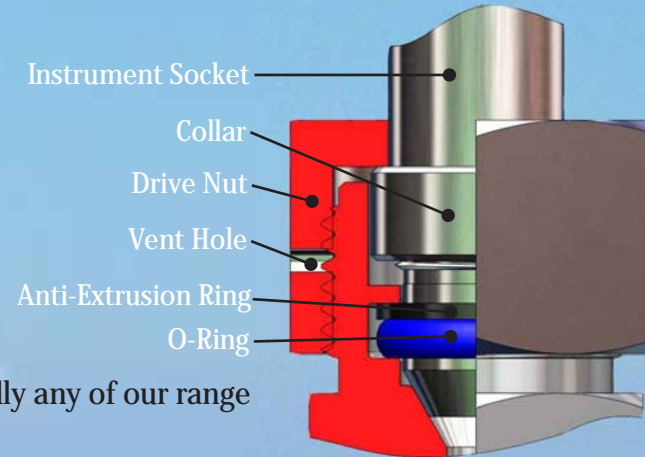
Reducing emissions

STEWARTS - SWIVEMAS® CLOSE COUPLE SYSTEM
 helping the oil and gas industry, power stations and process plants to reduce leak paths from 3 to 1 thereby reducing potential fugitive emissions, in accordance with the EU's IPPC Directive 2008/1/EC

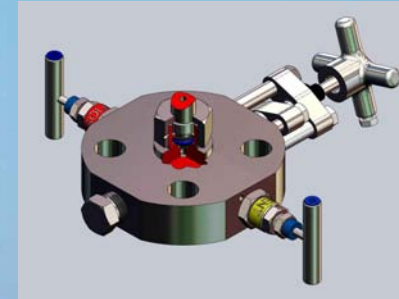
Pressure Gauges
 Thermometers
 Needle, Ball & Check Valves
 Manifolds & Monoflanges
 Panel Assemblies
 Accessories



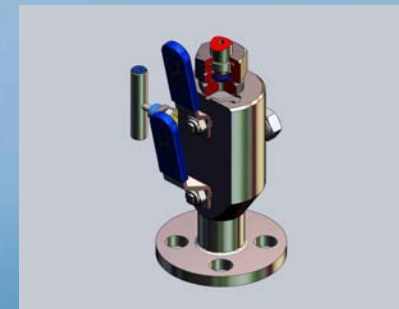
B&B MonoFlange valve



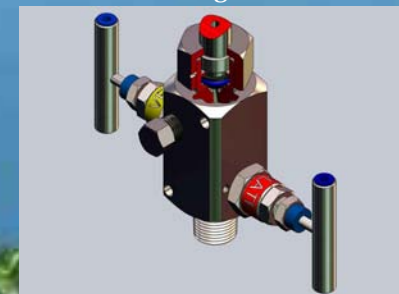
Example process connections



OS&Y DBBV valve



DBBV Flanged inlet



Block and bleed valve threaded male inlet

STEWARTS unique integral 'SWIVEMAS'® joint allows close coupling of virtually any of our range of valves, pressure gauges and accessories.

- A crevice free pressure tight metal-to-metal seal without the use of tape which also allows the gauge to be locked in any 360 Degree orientation.
- Incorporates a fixed collar, anti extrusion ring & secondary O ring seal.
- Pressure joint can be made, broken then remade and still retain full pressure seal integrity.
- Reduces the number of gauge-to-valve joints to only one thereby helping to meet environmental concerns by preventing fugitive emissions.
- Suitable for high pressure/temperature applications.
- Maximum working pressure 700 bar (10000 psi) higher pressures available on request.
- Hydrostatically tested to 1.5 times maximum working pressure.
- Has trace code on body with material certificates available for all wetted parts on request.
- Available in a variety of materials, stainless steel, monel, hastalloy, inconel etc.
- Can be supplied to NACE MR-01-75 latest edition.
- Bleed hole facility gives warning of incorrect mating of cone faces whilst mechanical integrity is still maintained.
- Infinite Valve/Gauge/Accessory combinations gives significant weight and space savings.

CONTACT US TO DISCUSS YOUR REQUIREMENTS



STEWART-BUCHANAN GAUGES LTD
 Sales Office & Manufacturing Facility.
 Burnside Industrial Estate, Kilsyth, Glasgow, G65 9JX, SCOTLAND
 Tel:- +44 (0)1236 821533
 Fax:- +44 (0)1236 824090
 E-Mail:- sales@stewarts-group.com
 Web Site:- www.stewarts-group.com