

Models-1232, 1233.
Filled System
Phenolic Case & Stainless Steel Internals

Case

Moulded Fiberglass / Phenolic
Full Safety Pattern Construction.
Threaded Fiberglass / Polycarbonate Window Ring.
Elastometer with Integral O' Ring Seal
Compensation Diaphragm.
Hinged, Polopropylene with Reinforced Fiberglass Blow-Out Back.

Socket + Element

AISI 316 Stainless Steel Stem / Socket.
AISI 316 Stainless Bourdon Tube
(C Form 800 PSI and Below) (Spiral 1000 PSI and Above)

Thread

1/4", 3/8", 1/2" NPT, BSP, BSPT, (Or flanged)

Movement

Stainless Steel

Dial

White Aluminium (Black Printing)

Pointer

Black Aluminium.

Window

Polycarbonate Window.

Standard Size

4 1/2 inch (114 mm).

Accuracy class

+/-1.5%.

Scale Range

Vacuum to 600 bar.

Ordering information

State:- Pressure gauge model.
/ Nominal size / Scale range.
/ Size and location of connection.
/ Optional extras reqd.

Optional extras

Accuracy class +/-1%
White plastic dial (Black Printing).
Micro adjustable pointer / Black Finish.
Monel to Nace MR-01-75 wetted parts.
Laminated safety glass.
Customer logo.
Liquid filling.
Vibragauge®
Snubbagauge®

Further options: on request

We manufacture a wide range of instruments to customer's special requirements
We shall be pleased to discuss and advise on your specifications.

Specifications and dimensions given in this leaflet represent the state of engineering at the time of printing.
Engineering modifications may take place without prior notice.

STEWART-BUCHANAN GAUGES LTD
Sales Office & Manufacturing Facility.
Burnside Industrial Estate, Kilsyth, Glasgow, G65 9JX, SCOTLAND
Tel:- +44 (0)1236 821533
Fax:- +44 (0)1236 824090
E-Mail:- sales@stewarts-group.com
Web Site:- www.stewarts-group.com

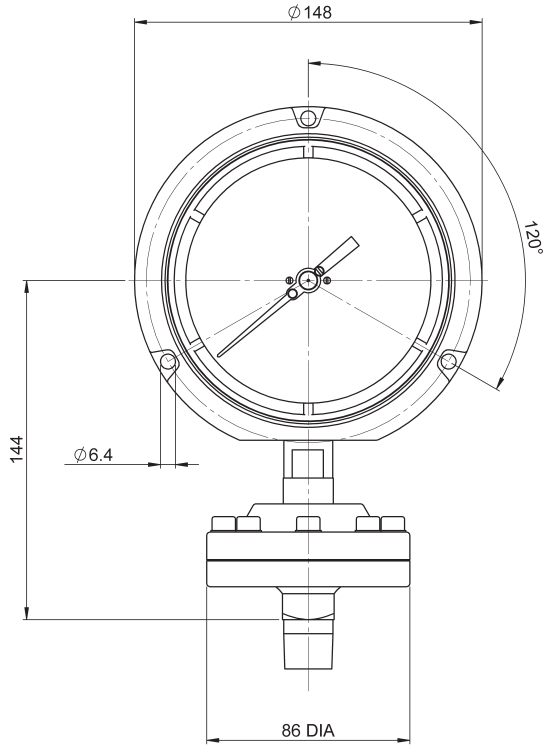


Model - 1232

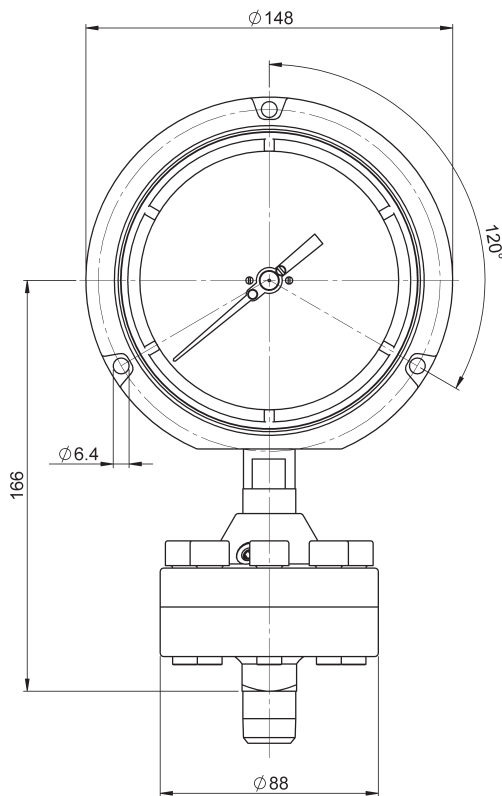
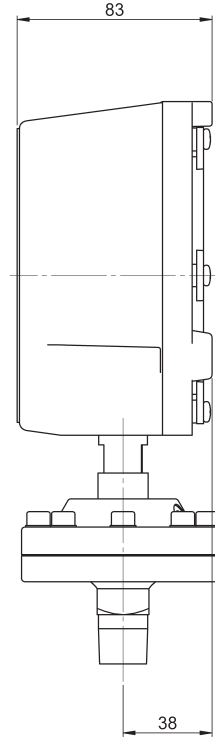
Application	Fill Fluids & Temperature Ranges	
Vacuum	Silicone D.C 704	0 to 250 deg C
Standard	Silicone 200 / 100	-40 to 200 deg C
Low Temp	Flourinert F.C.77	-100 to 50 deg C
High Temp	Silicone D.C 550	-40 to 315 deg C
Oxygen	Galden D05	-20 to 140 deg C
Food Ind		
FDA	Neobee M20	-15 to 150 deg C
	Medicinal Paraffin	0 to 100 deg C
	Vegetable (Rape Seed) Oil	0 to 100 deg C
Vacuum	Pure Glycerine	0 to 120 deg C
Other fill fluids available		

Note:- Cooling syphon recommended between diaphragm chamber and gauge for process temperatures above 60 deg C.

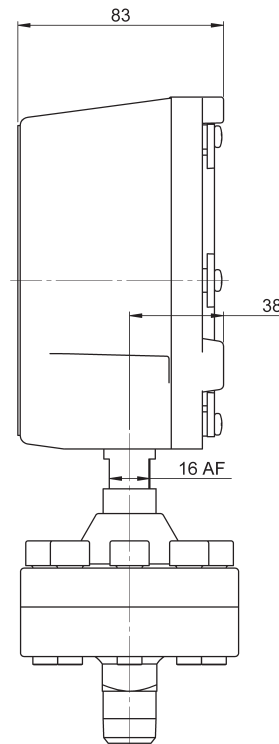
Models-1232, 1233.
Filled System
Phenolic Case & Stainless Steel Internals



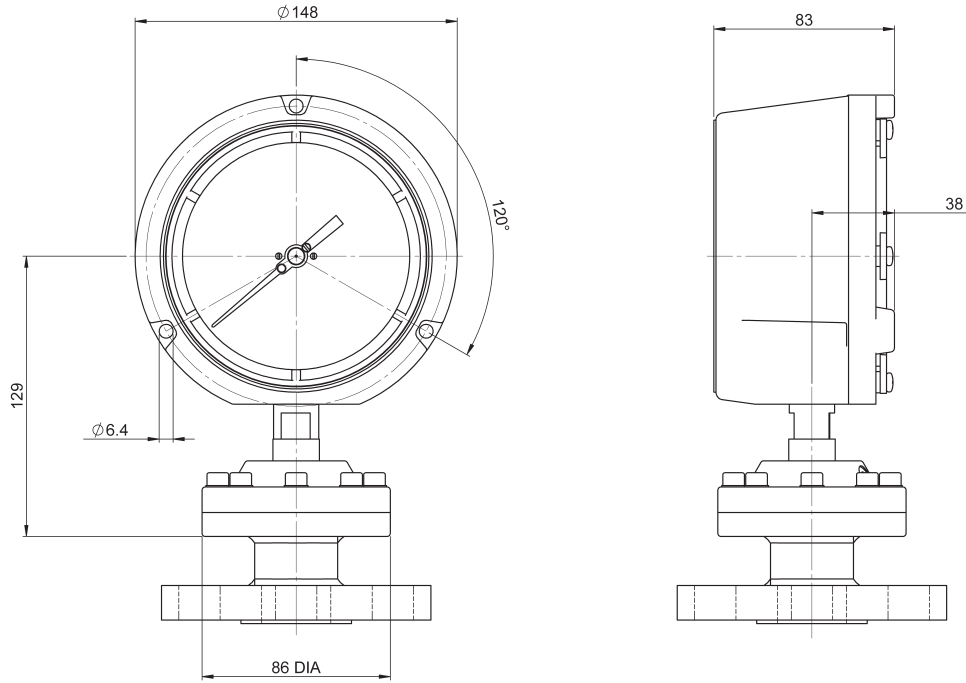
Model-1232



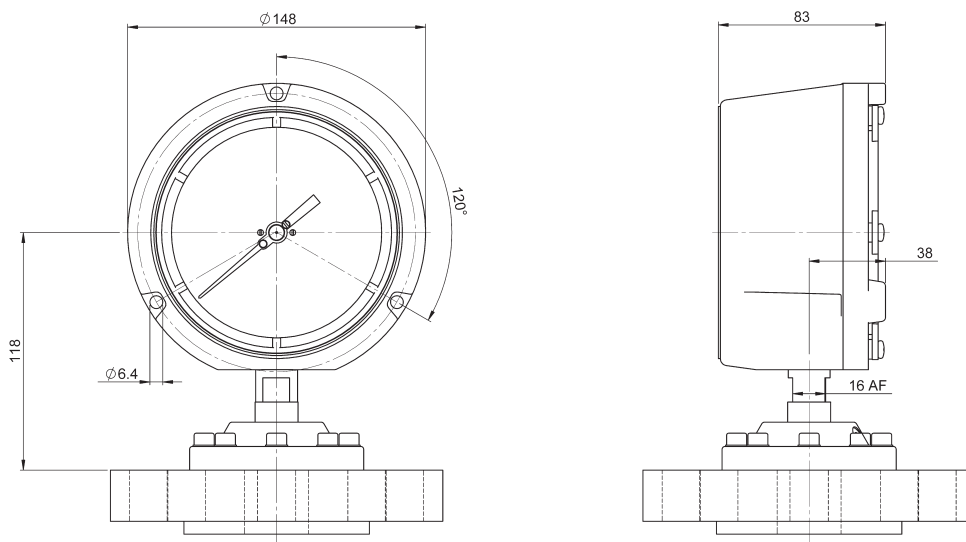
Model-1232 HP



Models-1232, 1233.
Filled System
Phenolic Case & Stainless Steel Internals



Model-1233
Flange mounted



Model-1233
Flange sizes (2inch) 50mm x 150lb & above