

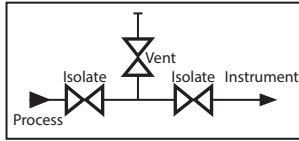
MODEL - DBBM



DOUBLE BLOCK AND BLEED MONOFLANGE (With vent plug) THREE VALVE MANIFOLD Rated as flange 2 x Standard Isolate and Vent Valve (plugged port)

ISOLATE	Red
VENT	Yellow
EQUALIZE	Blue

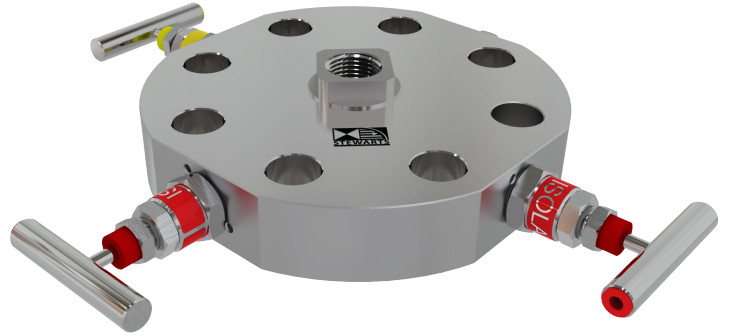
Valve Colour Coding



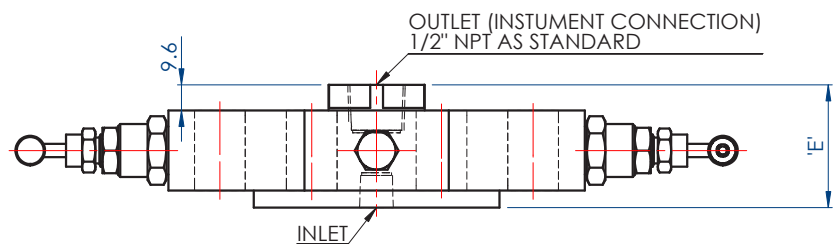
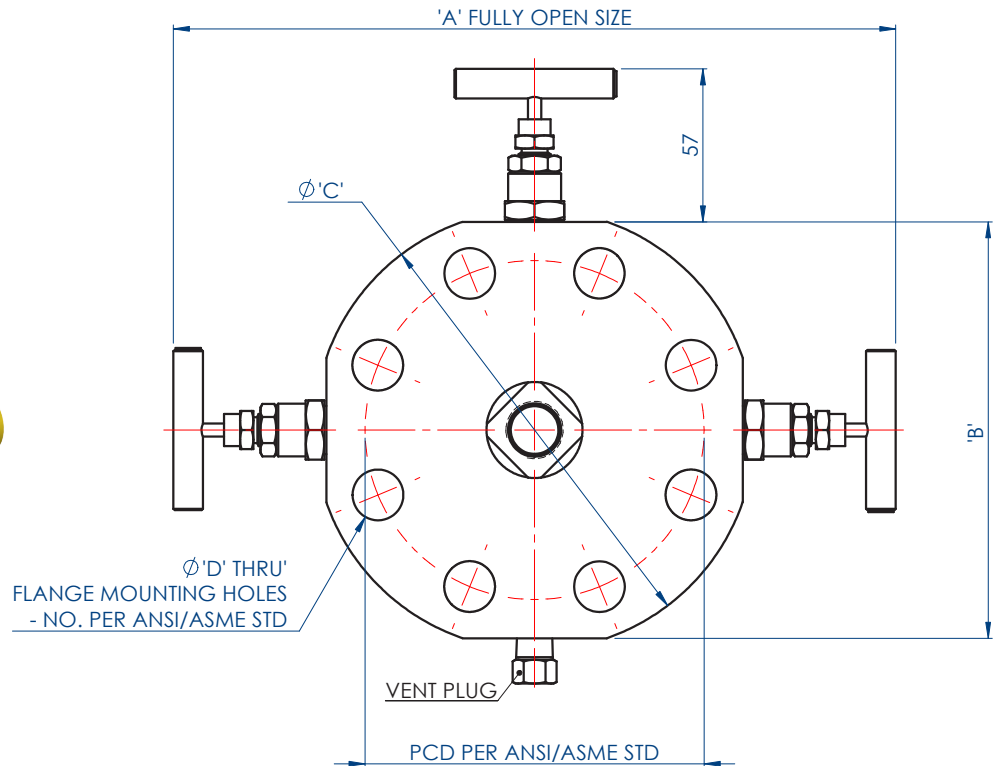
APPLICATION

Mono-flange manifolds are suitable for gauge or instrument mounting direct to a system via a standard flange take off point. Various flange ratings available to suit almost any pressure rating and size within piping systems. Standard applications include static instrumentation, pressure gauges, transmitters, and pressure switches.

Due to the compact size of the weight savings are optimised, therefore offshore installations, F.P.S.O's can benefit greatly. Furthermore, this slimline format does not require supporting. All in all any installation requiring a safer, more compact, lightweight, cost saving pipeline instrument solution can take advantage of the Stewarts mono-flange manifold range.



TYPICAL APPLICATION



STEWART-BUCHANAN GAUGES LTD

Sales Office & Manufacturing Facility - 7 Garrel Road, Burnside Industrial Estate Kilsyth, Glasgow G65 9JX, SCOTLAND
Tel: +44 (0)1236 821533 | Fax: +44 (0)1236 824090 | E-mail: sales@stewarts-group.com | Web: stewarts-group.com

DATA SHEET REF: DBBM-REV01-14



MODEL - DBBM



DOUBLE BLOCK AND BLEED MONOFLANGE (With vent plug) THREE VALVE MANIFOLD Rated as flange

DIMENSION CHART

DBBM flanges dimension table

Std.	Flange Size	Class	CODE	A (approx.)	B	C	D	E		Groove Number	No. Of Holes	Holes PCD	Weight (kg)
								RF	RTJ				
ASME	1/2"	150	1A	196	80	89	16	41	-	N/A	4	60.3	1.4
	3/4"		2A	204	86	98.4	15.9	41	-	N/A	4	69.8	1.5
	1"		3A	216	100	108	15.9	41	46	R15	4	79.4	2.1
	1-1/2"		4A	234	116	127	15	41	46	R19	4	98.4	2.9
	2"		5A	252	136	152.4	19	41	46	R22	4	120.6	4.1
	1/2"	300	1B	202	86	95.2	15.9	41	45	R11	4	66.7	1.6
	3/4"		2B	223	105	117	19	41	46	R13	4	82.5	2.4
	1"		3B	232	116	123.9	19	41	46	R16	4	88.9	2.7
	1-1/2"		4B	254	136	15.6	22.2	41	46	R20	4	114.3	4.0
	2"		5B	274	156	165.1	19	41	47	R23	8	127	4.7
	1/2"	600	1C	202	86	95.2	15.9	46	45	R11	4	66.7	1.7
	3/4"		2C	228	110	117	19	46	46	R13	4	82.5	2.6
	1"		3C	232	116	124	19	46	46	R16	4	88.9	2.8
	1-1/2"		4C	254	136	155.6	22.2	46	46	R20	4	114.3	4.3
	2"		5C	274	156	165.1	19	46	48	R23	8	127	5.0
	1/2"	900/ 1500	1D or 1E	228	110	120	22.2	46	46	R12	4	82.5	2.5
	3/4"		2D or 2E	231	116	130.2	22.2	46	46	R14	4	88.9	2.8
	1"		3D or 3E	254	136	149	25.4	46	46	R16	4	101.6	3.9
	1-1/2"		4D or 4E	272	156	177.8	28.6	48	48	R20	4	123.8	5.4
	2"		5D or 5E	321	205	215.9	25.4	54	56	R24	8	165.1	10.1
	1/2"	2500	1F	234	122	133.35	22.2	46.2	46.2	R13	4	88.9	3.3
	3/4"		2F	241	126	139.7	22.2	47.7	47.7	R16	4	95.2	3.7
	1"		3F	261	146	158.75	25.4	51	51	R18	4	107.95	5.1
	1-1/2"		4F	301	186	203.2	31.7	60.4	62	R23	4	146.05	10.4
2"	5F		340	225	234.95	28.6	66.7	68.3	R26	8	171.45	16.0	

HOW TO ORDER

DBBM Part No Creation				
SAMPLE PART NO				
DBBM-1C-07F-RF-AI-AL (ADD AL WHEN ISO15156 / NACE MR0175 IS REQUIRED)				
1	A1	07F	RF	AI
INLET SIZE & RATING		OUTLET CODES		316 Stainless Steel (UNS S31600)
1 = 1/2" (DN15)	A = 150 CLASS	03F = 1/4" NPT	RF = RAISED FACE	AI = 316 Stainless Steel (UNS S31600)
2 = 3/4" (DN20)	B = 300 CLASS	05F = 3/8" NPT	RTJ = RING TYPE JOINT	MO = MONEL® 400 (UNS N04400)
3 = 1" (DN25)	C = 600 CLASS	07F = 1/2" NPT		HA = HASTELLOY® C-276 ° (UNS N10276)
4 = 1.5" (DN40)	D = 900 CLASS	04F = 1/4" BSPP		IL = INCONEL® 625 (UNS N06625)
5 = 2" (DN50)	E = 1500 CLASS	06F = 3/8" BSPP		IN = INCOLOY® 825 (UNS N08825)
6 = 2.5" (DN65)	F = 2500 CLASS	08F = 3/8" BSPP		TI = TITANIUM Gr.2 (UNS R50400)
7 = 3" (DN80)	G = PN2.5	13F = 1/4" BSPTaper		DU = DUPLEX UNS (UNS S31803)
8 = 4" (DN100)	H = PN6	14F = 3/8" BSPTaper		SD = SUPER DUPLEX (UNS S32760)
	J = PN10	15F = 1/2" BSPTaper		HC = HASTELLOY® C-22 (UNS N06022)
	K = PN16	Integral SWIVEMAS® Connection to Stewarts Pressure Gauge available		SA = SUPER AUSTENITIC ST.ST 6%Mo (UNS S31254)
	L = PN25			
	M = PN40			
	N = PN63			

See HOW TO ORDER NEEDLE VALVES & MANIFOLDS Data Sheet For Optional Extras

STEWART-BUCHANAN GAUGES LTD

Sales Office & Manufacturing Facility - 7 Garrell Road, Burnside Industrial Estate Kilsyth, Glasgow G65 9JX, SCOTLAND
Tel: +44 (0)1236 821533 | Fax: +44 (0)1236 824090 | E-mail: sales@stewarts-group.com | Web: stewarts-group.com

DATA SHEET REF: DBBM-REV01-14

