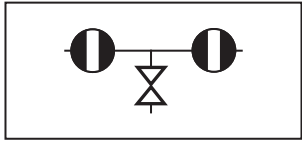


MODEL - BVN



DOUBLE BLOCK AND BLEED VALVE WITH NEEDLE VENT

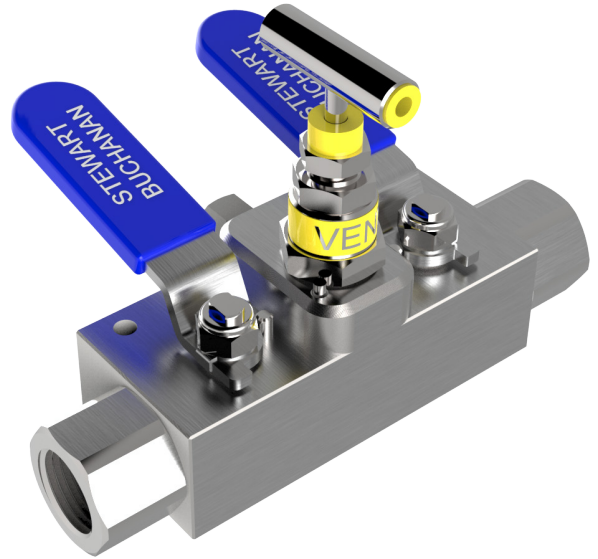
413 bar (6000 psi)



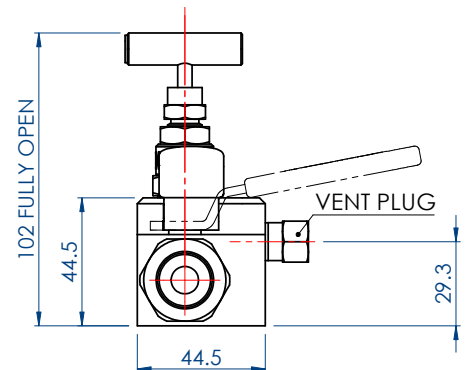
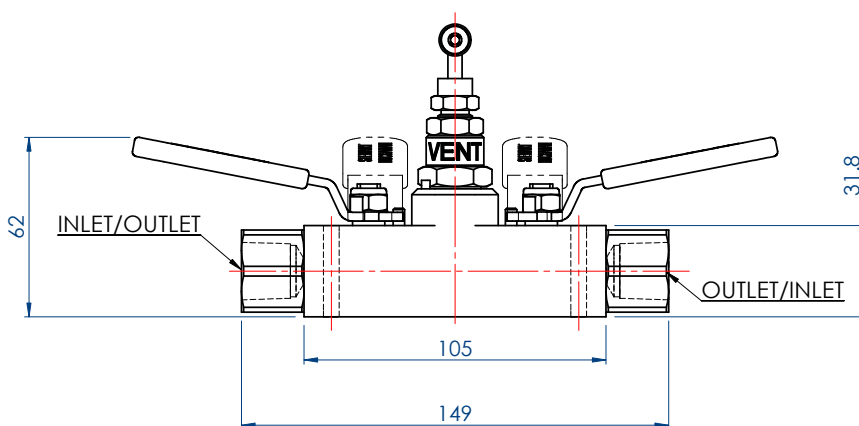
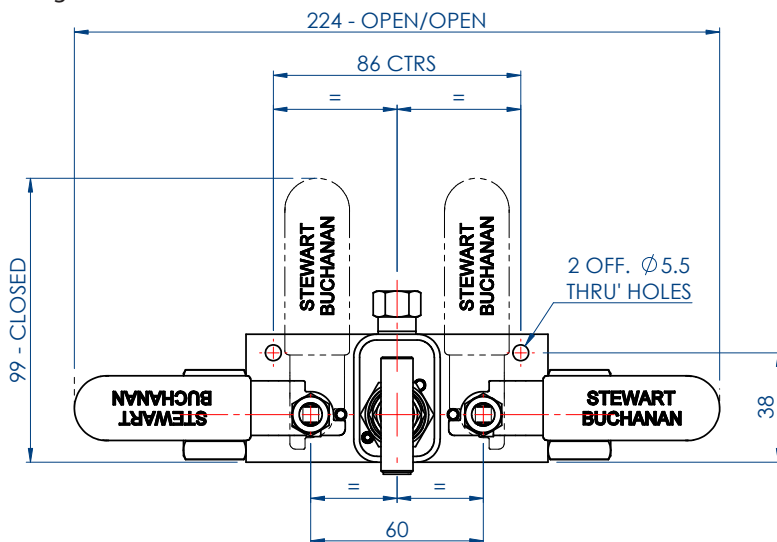
APPLICATION

Double block and bleed

Also available in a range of other materials and options
(See HOW TO ORDER Data Sheet).



WEIGHT = 1.6 kg



STEWART-BUCHANAN GAUGES LTD

Sales Office & Manufacturing Facility - 7 Garrell Road, Burnside Industrial Estate Kilsyth, Glasgow G65 9JX, SCOTLAND
Tel: +44 (0)1236 821533 | Fax: +44 (0)1236 824090 | E-mail: sales@stewarts-group.com | Web: stewarts-group.com

DATA SHEET REF: BVN-REV01-15

