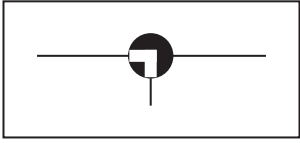


# MODEL - BVD1



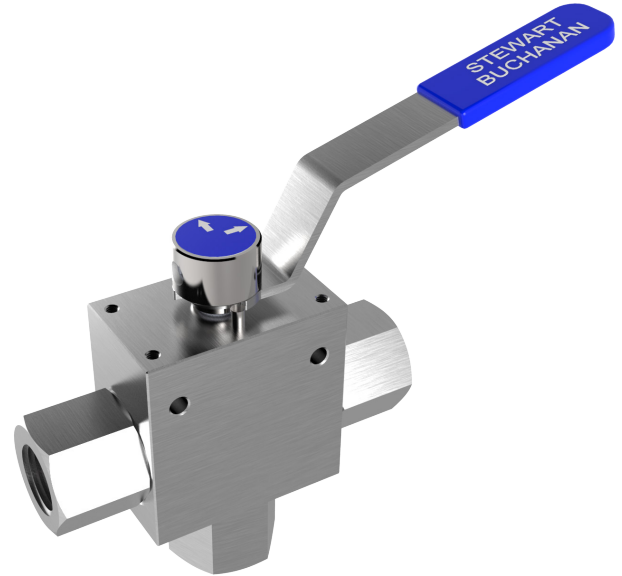
## 3 WAY BOTTOM ENTRY DIVERSION VALVE WITH "L" PORTED BALL VALVE 90° OPERATION 413 bar (6000 psi)



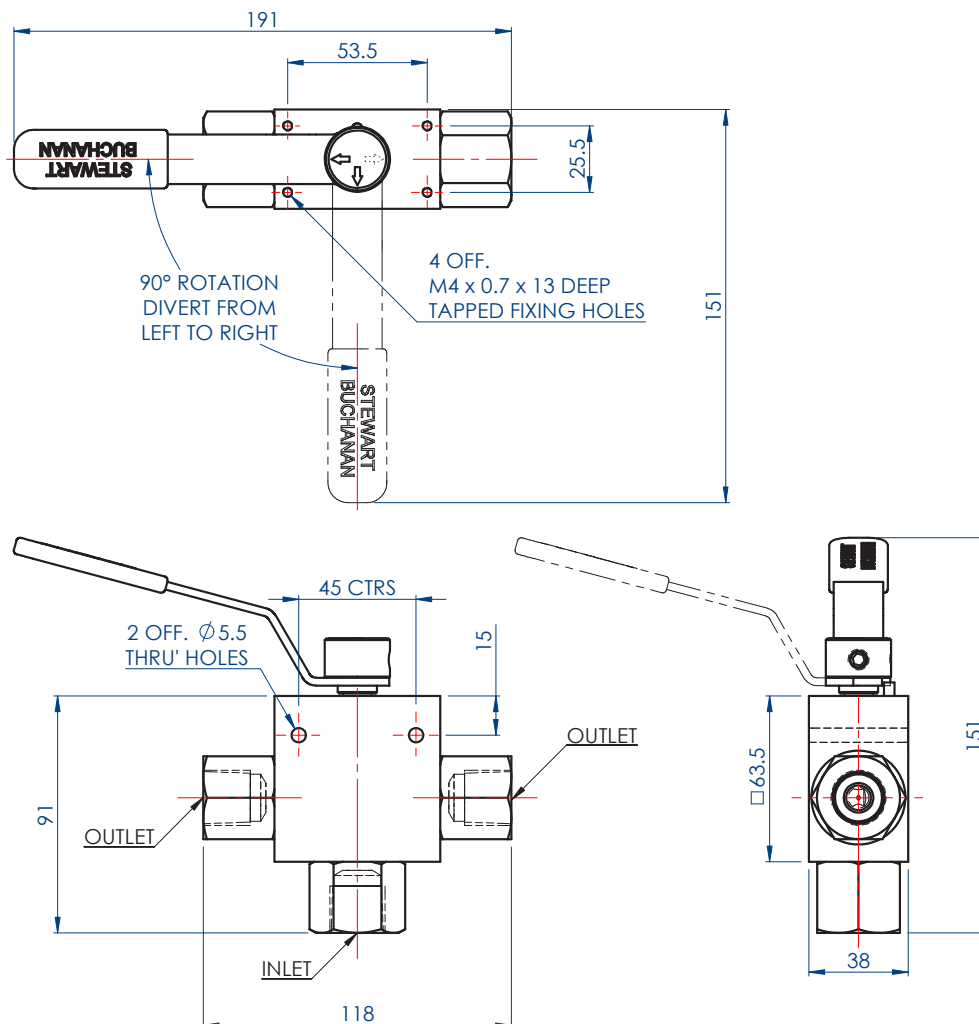
### APPLICATION

An excellent choice for diverting flow applications.  
Recommended for use in oil, gas and petrochemical applications for essential long-term performance.

Also available in a range of other materials and options  
(See HOW TO ORDER Data Sheet).



WEIGHT = 2.4 kg



## STEWART-BUCHANAN GAUGES LTD

Sales Office & Manufacturing Facility - 7 Garrell Road, Burnside Industrial Estate Kilsyth, Glasgow G65 9JX, SCOTLAND  
Tel: +44 (0)1236 821533 | Fax: +44 (0)1236 824090 | E-mail: sales@stewarts-group.com | Web: stewarts-group.com

DATA SHEET REF: BVD1-REV01-15

