

MODELS-4503

Differential Pressure Gauges



APPLICATIONS

Differential pressures are commonly used in industrial process systems. Differential pressure gauges have two inlet ports, each connected to one of the volumes whose pressure is to be monitored. In effect, such a gauge performs the mathematical operation of subtraction through mechanical means, obviating the need for an operator or control system to watch two separate gauges and determine the difference in readings.

STANDARD SPECIFICATION

Sizes

100 and 150mm

Case/ Bezel

AISI 316 Stainless Steel
Bezel Stainless Steel (Bayonet type)
Weatherproof Construction (IP 66)

Socket & Element

AISI 316 Stainless Steel (Standard)
Options available

Movement

Stainless Steel Construction

Blowout Protection

Blow-out device

Dial

White Anodised Aluminium (Black Printing)

Pointer

Black Aluminium

Window

Laminated Safety Glass

Traceability

All instruments are individually calibrated and have an unique Serial Number. Calibration Certificates are issued for each gauge

Certification available on request

- Certificate of Conformity Traceable to National Standards
- Group Certification (Pressure Test Calibration Statement)

Safety

All units are manufactured with Blowout device specification and other regulatory standards including PED 2014/68/EU.

Installation instructions

Refer to our [Guidance On Use of Equipment](#) data sheet.

Accuracy class

2% Accuracy

Scale Range

Working Ranges & Max Static Pressure

Delta P range:	Min	0.3 bar
	Max	100 bar

Static pressure	Max	600 bar
-----------------	-----	---------

(Able to withstand full MSP on one side only)

(Maximum ratio DP to static 10 : 1)

Measuring Element

St/St Bourdon Tubes (Standard)

Pressure Connection Thread

1/8", 1/4", 3/8", 1/2" NPT, BSP, BSPT (1/8" Threads limited to 400 bar)

Model-4503/PCD



Model-4503/PCS Surface Mounted

Model-4503/PCD Direct Mounted (Standard)

Model-4503/PCSF Flush Mounted Screw Fixing

Model-4503/PCCF Fluush Mounted Clamp Fixing

Operating Temperature Range EN837

-20° to 60°C (-4°F to 140°F)

Options for lower/higher operating ranges (Contact Sales)

Temperature Error

Additional error when temperature changes from reference
Temperature of 20°C (68°F) ±0.4% for every 10°C (18°F) rising or Falling % of span

Optional Extras

- Monel according to ISO 15156 / NACE MR-01-75 wetted parts
- Optional dial materials & Custom markings
- Other pressure connections
- Perspex window
- Customer logo printed on dial
- Safety Pattern Type with Baffle wall, (Dimensions available on request)

Further options on request

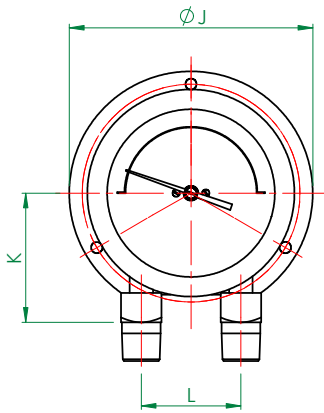
Available with a wide range of accessories

Syphons, Snubbers, Overrange gauge protectors, Valves, Manifolds, Diaphragm seals, Swivel adaptors, etc ensures that STEWARTS can provide you with the right product to suit any individual application or requirement.

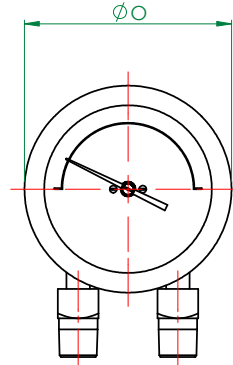
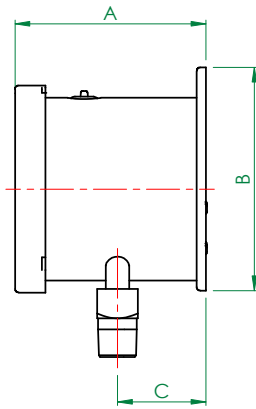
Ordering Parameters, Please state the following: SIZE, MODEL NO, SCALE RANGE, CONNECTION, PRESSURE MEDIUM & OPTIONAL EXTRAS

MODELS-4503

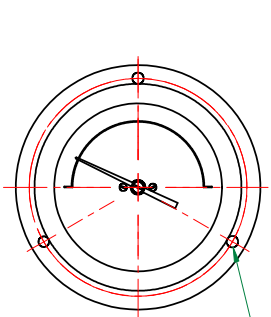
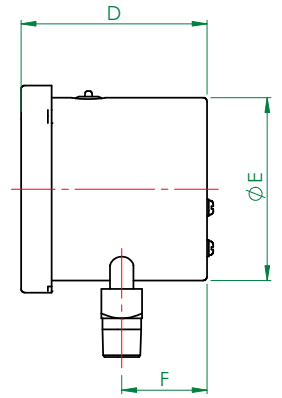
Model-4503 Stainless Steel Case & Bourdon Tube Element



**MODEL 4503/PCS
SURFACE MOUNTED**

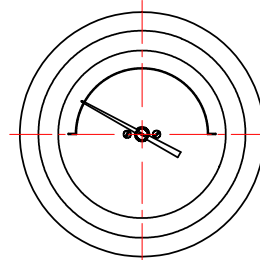
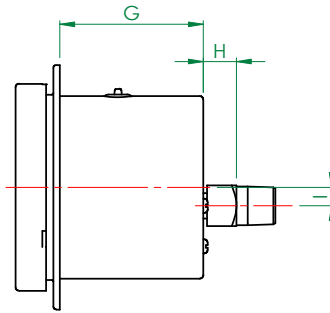


**MODEL 4503/PCD
DIRECT MOUNTED (STANDARD)**

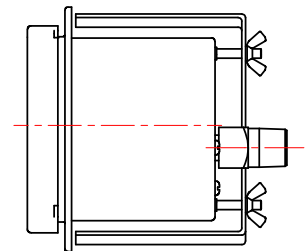


**MODEL 4503/PCSF
FLUSH MOUNTED SCREW FIXING**

3 HOLES Ø"M"
ON "N" PCD @120°



**MODEL 4503/PCCF
FLUSH MOUNTED CLAMP FIXING**



NOTE: Model Nos
Suffix model 4503 with mounting
style shown above. i.e - PCS, PCD, etc

General Arrangement Dimensions in mm, tol' ± 1mm

Dim	A	B	C	D	E	F	G	H	I	J	K	L	M	N	O	Panel cut-out
Dial Ø 4" (100mm)	104	121	48	100	99	46	78	18	10	132	70	54	6	118	112	105
6" (150mm)	104	184	45	101	159	47	72	18	10	196	103	54	6	178	161	165

STEWART-BUCHANAN GAUGES LTD

Sales Office & Manufacturing Facility - 7 Garrell Road, Burnside Industrial Estate, Kilsyth, Glasgow G65 9JX, SCOTLAND
Tel: +44 (0)1236 821533 | Fax: +44 (0)1236 824090 | E-mail: sales@stewarts-group.com | Web: stewarts-group.com

DATA SHEET REF: Diff4503-REV01-18



MODELS-4901

Differential Pressure Gauges



APPLICATIONS

Differential pressures are commonly used in industrial process systems. Differential pressure gauges have two inlet ports, each connected to one of the volumes whose pressure is to be monitored. In effect, such a gauge performs the mathematical operation of subtraction through mechanical means, obviating the need for an operator or control system to watch two separate gauges and determine the difference in readings.

STANDARD SPECIFICATION

Sizes

100 and 150mm

Case/ Bezel

AISI 316 Stainless Steel
Bezel Stainless Steel (Bayonet type)
Weatherproof Construction (IP 66)

Socket & Element

AISI 316 Stainless Steel (Standard)
Options available

Movement

Stainless Steel Construction

Blowout Protection

Blow-out device

Dial

White Anodised Aluminium (Black Printing)

Pointer

Black Aluminium

Window

Laminated Safety Glass

Traceability

All instruments are individually calibrated and have an unique Serial Number. Calibration Certificates are issued for each gauge

Certification available on request

- Certificate of Conformity Traceable to National Standards
- Group Certification (Pressure Test Calibration Statement)

Safety

All units are manufactured with Blowout device specification and other regulatory standards including PED 2014/68/EU.

Installation instructions

Refer to our [Guidance On Use of Equipment](#) data sheet.

Accuracy class

2% Accuracy

Scale Range

Working Ranges & Max Static Pressure

Delta P range:	Min	100	mbar
	Max	2	bar

Static pressure	Max	25	bar
-----------------	-----	----	-----

Measuring Element

St/St Diaphragm (Standard)

Pressure Connection Thread

1/8", 1/4", 3/8", 1/2" NPT, BSP, BSPT (1/2" Threads limited to 400 bar)

Model-4901/PCD Direct Mounted (Standard)



Model-4901/PCS Surface Mounted

Model-4901/PCD Direct Mounted (Standard)

Model-4901/PCSF Flush Mounted Screw Fixing

Model-4901/PCCF Flush Mounted Clamp Fixing

Operating Temperature Range EN837

-20° to 60°C (-4°F to 140°F)

Options for lower/higher operating ranges (Contact Sales)

Temperature Error

Additional error when temperature changes from reference

Temperature of 20°C (68°F) ±0.4% for every 10°C (18°F) rising or Falling % of span

Optional Extras

- Monel according to ISO 15156 / NACE MR-01-75 wetted parts
- Optional dial materials & Custom markings
- Other pressure connections
- Perspex window
- Customer logo printed on dial
- Safety Pattern Type with Baffle wall, S3 (Dimensions available on request)

Further options on request

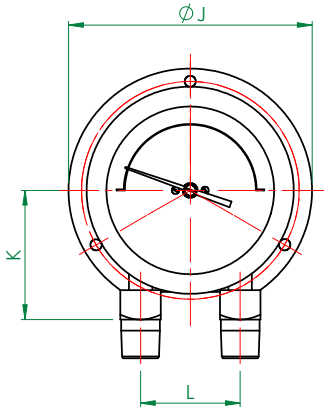
Available with a wide range of accessories

Syphons, Snubbers, Overrange gauge protectors, Valves, Manifolds, Diaphragm seals, Swivel adaptors, etc ensures that STEWARTS can provide you with the right product to suit any individual application or requirement.

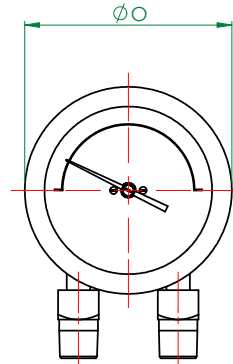
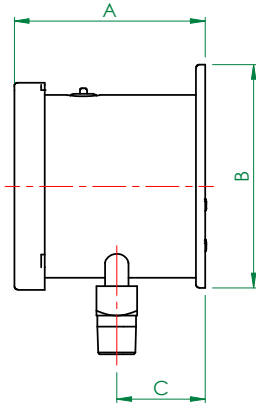
Ordering Parameters, Please state the following: SIZE, MODEL NO, SCALE RANGE, CONNECTION, PRESSURE MEDIUM & OPTIONAL EXTRAS

MODELS-4901

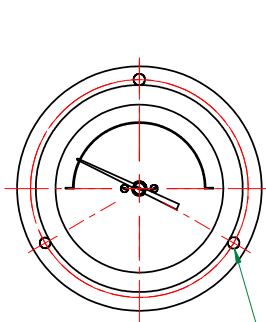
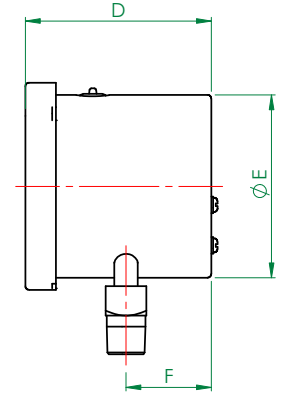
Model-4901 Stainless Steel Case & Single Diaphragm Element



**MODEL 4901/PCS
SURFACE MOUNTED**

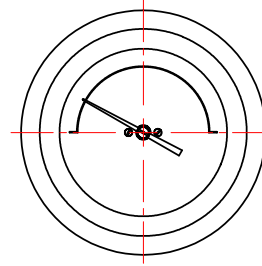
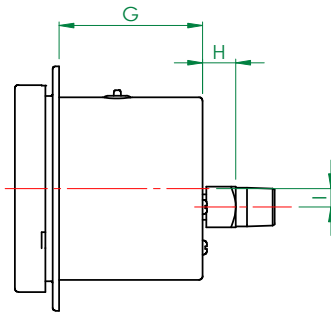


**MODEL 4901/PCD
DIRECT MOUNTED (STANDARD)**

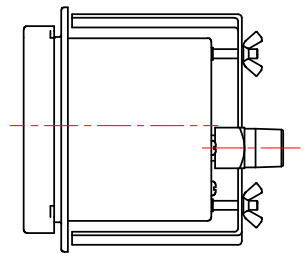


3 HOLES Ø"M"
ON "N" PCD @120°

**MODEL 4901/PCSF
FLUSH MOUNTED SCREW FIXING**



**MODEL 4901/PCCF
FLUSH MOUNTED CLAMP FIXING**



NOTE: Model Nos
Suffix model 4901 with mounting
style shown above. i.e - PCS, PCD, etc

General Arrangement Dimensions in mm, tol' ± 1mm

Dim	A	B	C	D	E	F	G	H	I	J	K	L	M	N	O	Panel cut-out
Dial Ø 4" (100mm)	104	121	48	100	99	46	78	18	10	132	70	54	6	118	112	105
6" (150mm)	104	184	45	101	159	47	72	18	10	196	103	54	6	178	161	165

STEWART-BUCHANAN GAUGES LTD

Sales Office & Manufacturing Facility - 7 Garrell Road, Burnside Industrial Estate, Kilsyth, Glasgow G65 9JX, SCOTLAND
Tel: +44 (0)1236 821533 | Fax: +44 (0)1236 824090 | E-mail: sales@stewarts-group.com | Web: stewarts-group.com

DATA SHEET REF: Diff4901-REV01-18



MODELS-4906



Differential Pressure Gauges

APPLICATIONS

Differential pressures are commonly used in industrial process systems. Differential pressure gauges have two inlet ports, each connected to one of the volumes whose pressure is to be monitored. In effect, such a gauge performs the mathematical operation of subtraction through mechanical means, obviating the need for an operator or control system to watch two separate gauges and determine the difference in readings.

STANDARD SPECIFICATION

Sizes

100 and 150mm

Case/ Bezel

AISI 316 Stainless Steel
Bezel Stainless Steel (Bayonet type)
Weatherproof Construction (IP 66)

Socket & Element

AISI 316 Stainless Steel (Standard)
Options available

Movement

Stainless Steel Construction

Blowout Protection

Blow-out device (EN 837-1 S1)

Dial

White Anodised Aluminium (Black Printing)

Pointer

Black Aluminium

Window

Laminated Safety Glass

Traceability

All instruments are individually calibrated and have a unique Serial Number. Calibration Certificates are issued for each gauge

Certification available on request

- Certificate of Conformity Traceable to National Standards
- Group Certification (Pressure Test Calibration Statement)

Safety

All units are manufactured as Safety Pattern specification and other regulatory standards including PED 2014/68/EU.

Installation instructions

Refer to our [Guidance On Use of Equipment](#) data sheet.

Accuracy class

2% Accuracy

Scale Range

Working Ranges & Max Static Pressure

Delta P range:	Min	100 mbar
	Max	25 bar

Static pressure	Max	220 bar (Able to withstand full MSP on one side only)
-----------------	-----	---

Measuring Element

St/St DP cell (Standard).

Pressure Connection Thread

1/8", 1/4", 3/8", 1/2" NPT, BSP, BSPT (1/2" Threads limited to 400 bar)

Model-4906/BSM Surface Mounted



Model-4906/BSM Surface Mounted
Model-4906 Yoke Mounted

Operating Temperature Range EN837

-20° to 60°C (-4°F to 140°F)

Options for lower/higher operating ranges (Contact Sales)

Temperature Error

Additional error when temperature changes from reference

Temperature of 20°C (68°F) ±0.4% for every 10°C (18°F) rising or Falling % of span

Optional Extras

- Materials according to ISO 15156 / NACE MR-01-75 wetted parts
- Optional dial materials & Custom markings
- Other pressure connections
- Perspex window
- Customer logo printed on dial

Further options on request

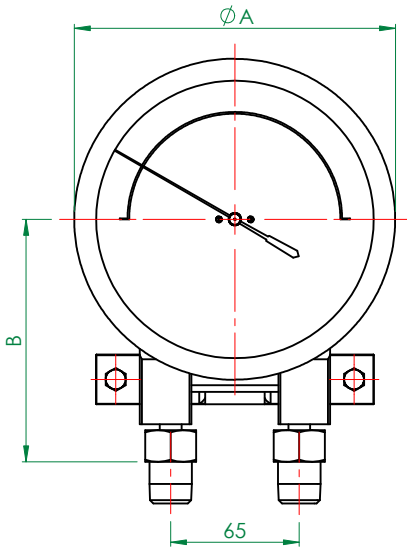
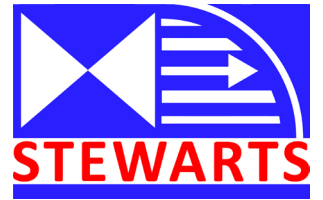
Available with a wide range of accessories

Syphons, Snubbers, Overrange gauge protectors, Valves, Manifolds, Diaphragm seals, Swivel adaptors, etc ensures that STEWARTS can provide you with the right product to suit any individual application or requirement.

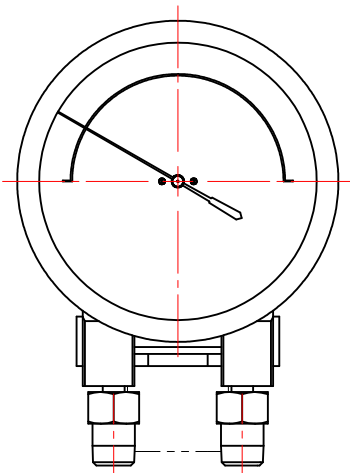
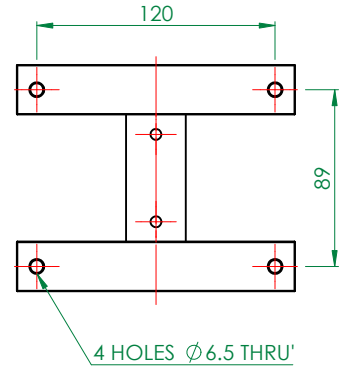
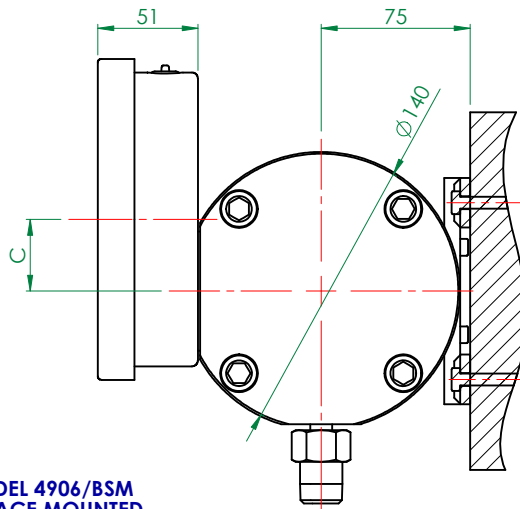
Ordering Parameters, Please state the following: SIZE, MODEL NO, SCALE RANGE, CONNECTION, PRESSURE MEDIUM & OPTIONAL EXTRAS

MODELS-4906

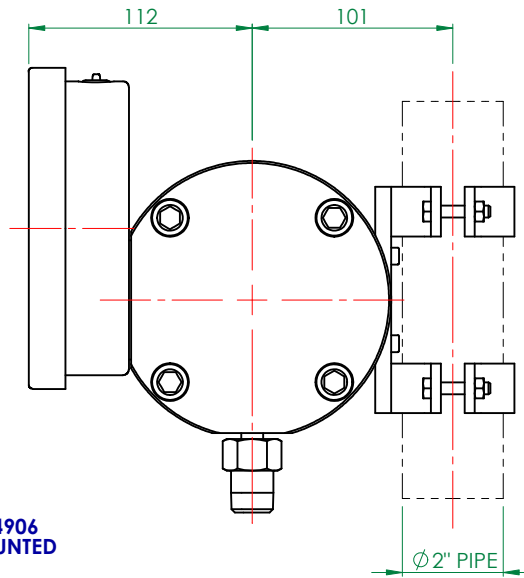
Model-4906 Stainless Steel Case & Opposed Diaphragm Elements



**MODEL 4906/BSM
SURFACE MOUNTED**



**MODEL 4906
YOKE MOUNTED**



General Arrangement Dimensions in mm, tol' ± 1 mm			
Dim	A	B	C
4" (100mm)	112	101	16
6" (150mm)	162	122	36

STEWART-BUCHANAN GAUGES LTD

Sales Office & Manufacturing Facility - 7 Garrell Road, Burnside Industrial Estate, Kilsyth, Glasgow G65 9JX, SCOTLAND
Tel: +44 (0)1236 821533 | Fax: +44 (0)1236 824090 | E-mail: sales@stewarts-group.com | Web: stewarts-group.com

DATA SHEET REF: Diff4906-REV01-18

