

MODELS- 1232, 1233 Series



PHENOLIC SAFETY PATTERN CASE CHEMICAL SEAL GAUGE

APPLICATIONS

Diaphragm seal gauges commonly known as "chemical seal" gauges are designed and recommended to isolate the measuring system of a pressure gauge from corrosive, pasty or dangerous fluid depending on the viscosity, pressure, temperature, solidification of a particular process medium.

VIBRAGAUGE® Option also available.

VIBRAGAUGE® for Dampening of vibration & pulsation without liquid filling.

STANDARD SPECIFICATION

Solid Front Safety Pattern Diaphragm Seal Gauge
(Weatherproof Construction to IP65)

Sizes

4½" (115mm)

Case/ Bezel

Moulded Fibreglass / Phenolic
Full Safety Pattern Construction
Threaded Fibreglass / Polycarbonate Window Ring
Elastomer with integral O' Ring Seal
Compensation Diaphragm
Polopropylene with Reinforced Fibreglass Blow-Out Back

Socket & Bourdon Tube

316 Stainless Steel

Movement

Stainless Steel Construction

Blowout Protection

S3 Baffle wall with blow-out backplate

Dial

White Anodised Aluminium (Black Printing)

Pointer

Black Aluminium

Window

Sheet Glass

Traceability

All instruments are individually calibrated and have a unique Serial Number.

Certification available on request

- Certificate of Conformity Traceable to National Standards
- Group Certification (Pressure Test Calibration Statement)
- Point to Point Test Certificate
- BS EN 10204 3.1 Material Certification

Safety

All units are manufactured to comply with EN 837-1, S3 specification and other regulatory standards including PED 2014/68/EU.

Installation instructions

Refer to EN 837-2 and our [Guidance On Use of Equipment](#) data sheet.

Accuracy class

ACCURACY CLASS EN837-1 (Optional Consult Sales)			
	0 - 100 bar	>100 - 420 bar	>420 - 700 bar
115mm	1.6 (1.0)	1.6 (1.0)	1.6
Overpressured	1.25 FSD	1.15 FSD	1.15 FSD

Options: 1.5% (Consult Sales)

Scale Range

Vacuum / Compound to -1 to 0 to -1 to 24 bar (Where applicable)

Standard 0 to 700 bar

Or other equivalent units of pressure or vacuum

PED 2014/68/EU limits, GAS Group.1 <1000 bar,

Operating Temperature Range EN837

-20° to 60°C (-4°F to 140°F)

Options for lower/higher operating ranges (Contact Sales)

Temperature Error

Additional error when temperature changes from reference

Temperature of 20°C (68°F) ±0.4% for every 10°C (18°F) rising or Falling % of span

Note: Cooling syphon recommended between diaphragm chamber and gauge for process temperatures above 60°C

Model-1232



See Page-2 for Dimension, Page-3 for Fill fluids and Available materials

Optional Extras

- Micro adjustable pointer /Black finish
- Optional dial materials & Custom markings
- ISO 15156 / NACE MR-01-75 wetted parts
- Spiral wound Armoured capillary (remote mounted)
- Laminated safety glass / Perspex window
- Orifice Restrictor Screw (standard Ø0.9mm, Ø0.4mm on request)
- Customer logo printed on dial
- Nitelitegag® (See data sheet)
- Vibragauge® (See data sheet)
- Snubbagauge® (See data sheet)
- Gauge overpressure up to 130% of FSD

Further options on request

Available with a wide range of accessories

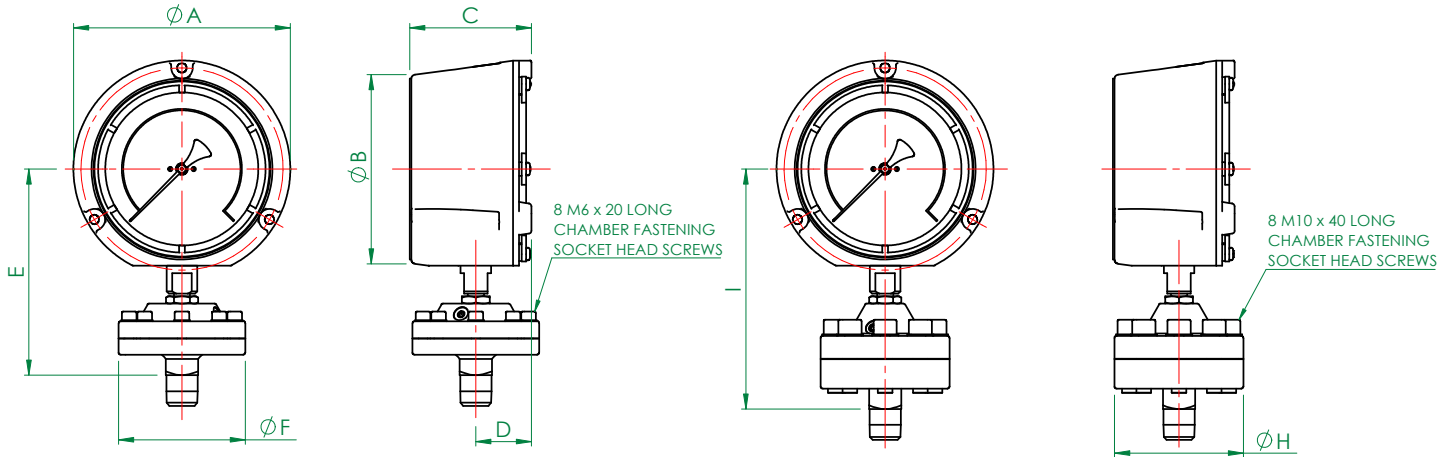
Interposed: Syphons, Snubbers, Overrange gauge protectors.

Additional: Swivel Adaptors, Valves, Manifolds etc ensures that STEWARTS can provide you with the right product to suit any individual application or requirement.

Ordering Parameters, Please state the following: SIZE, MODEL NO, SCALE RANGE, CONNECTION, PRESSURE MEDIUM & OPTIONAL EXTRAS

MODELS- 1232, 1233 Series

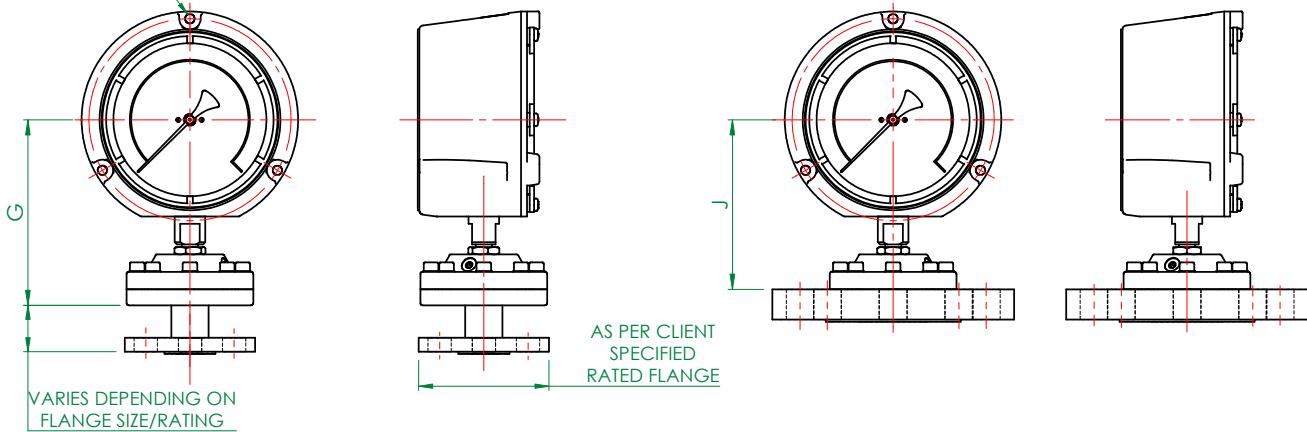
PHENOLIC SAFETY PATTERN CASE CHEMICAL SEAL GAUGE



MODEL 1232

MODEL 1232/HP

3 HOLES $\phi 6.4$
@120° ON 138 PCD



**MODEL 1233
FLANGE MOUNTED SIZE BELOW 2"**

**MODEL 1233
FLANGE MOUNTED SIZE 2" & ABOVE**

General Arrangement Dimensions in mm, tol' ± 1 mm

Dim	UNIT	A	B	C	D	E	F	G	H	I	J
Dial ϕ	mm	148	129	83	38	141	86.5	127	88	164	116
	in	5.8	5.1	3.3	1.5	5.6	3.4	5	3.5	6.5	4.6

STEWART-BUCHANAN GAUGES LTD

Sales Office & Manufacturing Facility - 7 Garrel Road, Burnside Industrial Estate, Kilsyth, Glasgow G65 9JX, SCOTLAND
Tel: +44 (0)1236 821533 | Fax: +44 (0)1236 824090 | E-mail: sales@stewarts-group.com | Web: stewarts-group.com

DATA SHEET REF: 123-REV02-17



MODELS- 1232, 1233 Series

PHENOLIC SAFETY PATTERN CASE CHEMICAL SEAL GAUGE



Materials and Fill Fluids

Available Materials	Diaphragm	Lower Housing
Carbon Steel	☒	☑
316 St.St	☑	☑
MONEL® 400	☑	☑
HASTELLOY® C276	☑	☑
HASTELLOY® C22	☑	☑
INCONEL® 625	☑	☑
INCOLOY® 825	☑	☑
TITANIUM Gr2	☑	☑
DUPLEX S31803	☑	☑
*SUPER DUPLEX S32760	☑	☑
6% Moly S31254	☒	☑
Tantalum	☑	☒
PTFE (Protection)	☑	☑
PVDF (Protection)	☑	☑

** Note DIAPHRAGM UNS S32750*

SBG Code	Application	Fill Fluids	Temperature Range
1	Vacuum or Compound	Silicone DC 704 / CVC-4	0 to 250°C
8	Vacuum or Compound	Vegetable / Rapeseed Oil	0 to 100°C
14	Vacuum or Compound Low Temperature (PFPE)	FOMBLIN® Y L-VAC 06/6	-50 to 80°C
2	Standard	Silicone 200/100	-40 to 200°C
13	Standard	Silicone 200/20	-50 to 240°C
15	Standard	Silicone 200/5	-70 to 130°C
4	Low Temperature	Fluorinert™ FC-77	-100 to 90°C
3	High Temperature	Silicone DC 550	-40 to 315°C
9	High Temperature	Octoil	315 to 400°C
12	High Temperature	SYLTHERM 800	-40 to 200°C
5	Oxygen & Chlorine (PFPE)	Galden® D05 PFPE	-40 to 140°C
11	Oxygen & Chlorine (PFPE)	Halocarbon 6.3	-40 to 180°C
2	High Pressure	Silicone 200/100	-20 to 160°C
6	Food Industry (FDA)	NEOBEE® M-20	-20 to 150°C
7	Food Industry (FDA)	Medicinal paraffin	-20 to 150°C
10	Food Industry (FDA)	Pure Glycerine	0 to 120°C

Other fill fluids available

STEWART-BUCHANAN GAUGES LTD

Sales Office & Manufacturing Facility - 7 Garrel Road, Burnside Industrial Estate, Kilsyth, Glasgow G65 9JX, SCOTLAND
 Tel: +44 (0)1236 821533 | Fax: +44 (0)1236 824090 | E-mail: sales@stewarts-group.com | Web: stewarts-group.com

DATA SHEET REF: 123-REV02-17

