

MODELS-1011/66-2, 1012/66-2, 1013/66-2



Aluminium Case Safety Pattern (Defence Standard 66-2) Pressure Gauges

APPLICATIONS

Used predominantly in marine and defence applications, these form the basis of the gauges manufactured to Defence Standard 66-2 / issue-4. (Capable of withstanding an acceleration/shock of 120g) Their construction conforms in all respects to the requirements of BS 1780 & EN837.

STANDARD SPECIFICATION

Aluminium Safety Pattern Gauge with Baffle Wall and Blow out Back (Weatherproof to IP54).

Sizes

63, 100, and 150 mm.

Case/ Bezel

Case: Aluminium Stove Enamelled Finish. Solid front between bourdon tube and dial
Bezel: Brass or Aluminium Stove Enamelled Finish.

Socket & Element

316 Stainless Steel.

Movement

Stainless Steel Vibragauge®.

Blowout Protection

S3 Safety Pattern with Baffle Wall and Blow-out Back.

Dial

White Anodised Aluminium (Black Printing).

Pointer

Black Aluminium.

Window

Clear Acrylic Plastic.

Traceability

All instruments are individually calibrated and have an unique Serial Number.

Certification available on request

- Certificate of Conformity Traceable to National Standards
- Group Certification (Pressure Test Calibration Statement)
- Point to Point Test Certificate
- BS EN 10204 3.1 Material Certification

Safety

All units are manufactured to comply with EN 837-1, S3 Safety Pattern specification and other regulatory standards including PED 2014/68/EU.

Installation instructions

Refer to EN 837-2 and our [Guidance On Use of Equipment](#) data sheet.

Accuracy class

ACCURACY CLASS EN837-1 (Optional)		
	0 - 600 bar	>600 - 1600 bar
63mm	1.0	1.6 *
100 to 300 mm	1.0 (0.6)	1.0

0.5% Accuracy on request (Consult Sales)
Higher Ranges on request (Consult Sales)

Over-pressure

0 - 100 bar	>100 - 600 bar	>600 - 1600 bar
1.25 x FSD	1.15 x FSD	1.10 x FSD

Scale Range

Vacuum / Compound to -1 to 0 to -1 to 24 bar

63mm gauge 0 to 1000 bar *

100 to 150 mm gauges 0 to 1600 bar

Or other equivalent units of pressure or vacuum

* PED 2014/68/EU limits, GAS Group.1 <1000 bar,

Pressure Connection Thread

1/8", 1/4", 3/8", 1/2" NPT, BSP, BSPT

MAX PRESSURE EN 837-1			
THREAD EN837	NPT 316ss/Monel	BSP 316ss/Monel	BSPT 316ss/Monel
1/8"	400 bar	400 bar	400 bar
1/4"	1000 bar	1000 bar	1000 bar
3/8"	1000 bar	1000 bar	1000 bar
1/2"	1000 bar	1600 bar	1000 bar

Model-1011/66-2 Surface Mounted



Model-1013/66-2 Flush Mounted Screw Fixing



Model-1011/66-2 Surface Mounted (Bottom Connection)
Model-1012/66-2 Direct Mounted (Bottom Connection)
Model-1013/66.2 Flush Mounted Screw Fixing (Rear Connection)

See Page-2 for dimension

Operating Temperature Range EN837

-20° to 60°C (-4°F to 140°F)

Options for lower/Higher operating ranges (Contact Sales)

Temperature Error

Additional error when temperature changes from reference
Temperature of 20°C (68°F) ±0.4% for every 10°C (18°F) rising or Falling % of span

Optional Extras

- Optional dial materials & Custom markings
- Monel according to ISO 15156 / NACE MR-01-75 wetted parts
- Other pressure connections
- Laminated Safety Glass (66-2 issue-3 only)
- Customer logo printed on dial
- Gauge over-pressure up to 130% of FSD

Further options on request

Available with a wide range of accessories

Syphons, Snubbers, Overrange gauge protectors, Valves, Manifolds, Diaphragm seals, Swivel adaptors, etc ensures that STEWARTS can provide you with the right product to suit any individual application or requirement.

Ordering information

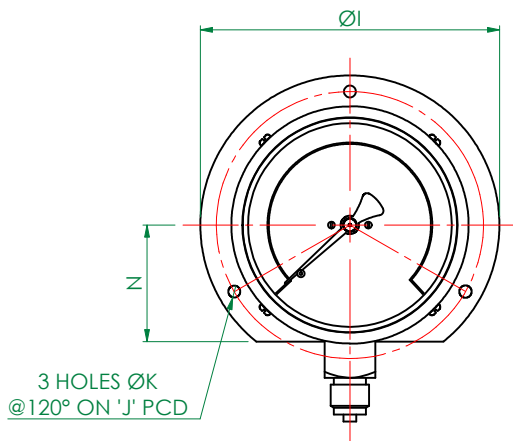
State:- Nato stock no (if known) or
Pressure gauge model /Nominal size /
Scale range / Size and location of connection /
Optional extras reqd

MODELS-1011/66-2, 1012/66-2, 1013/66-2

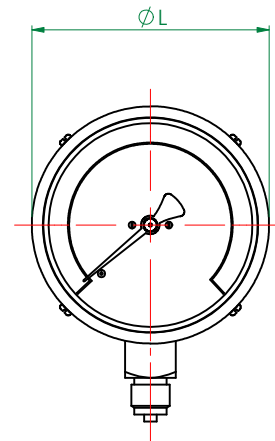
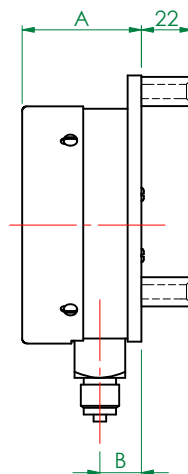


Aluminium Case Safety Pattern Pressure Gauges

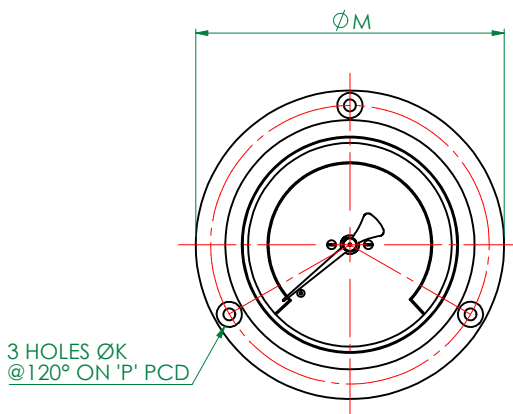
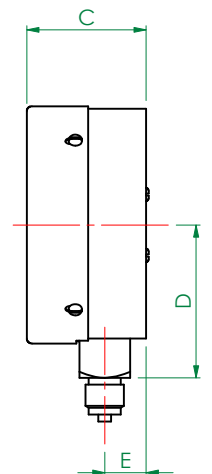
Surface mounted gauges should be fitted with distance pieces of not less than 3/4" (20mm) long to allow them to be mounted away from wall or panel.



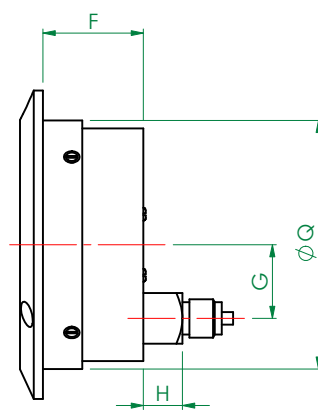
**MODEL - 1011/66-2
SURFACE MOUNTED
(* 22mm SPACERS SUPPLIED)**



**MODEL - 1012/66-2
DIRECT MOUNTED (STANDARD)**



**MODEL - 1013/66-2
FLUSH MOUNTED
SCREW FIXING
(BLACK PAINTED BEZEL)**



General Arrangement Dimensions in mm, tol' ± 1mm																
Dim	A	B	C	D	E	F	G	H	I	J	K	L	M	N	P	Q
Dial Ø 2.5" (63mm)	39	10	39	44	10	31	20	13	86	76	4.2	65	90	32	78	68
4" (100mm)	52	18	52	67	18	44	32	17	130	116	5.2	103	134	51	121	108
6" (150mm)	53	18	53	96	18	46	32	14	183	168	5.2	153	188	76	175	160

STEWART-BUCHANAN GAUGES LTD

Sales Office & Manufacturing Facility - 7 Garrel Road, Burnside Industrial Estate, Kilsyth, Glasgow G65 9JX, SCOTLAND
Tel: +44 (0)1236 821533 | Fax: +44 (0)1236 824090 | E-mail: sales@stewarts-group.com | Web: stewarts-group.com

DATA SHEET REF: 101DS-REV01-18

